

 **Jantosa**

# WHEELS AT WORK



[www.jantosa.com](http://www.jantosa.com)



## INDEX

- 1 Main Facts / Company Profile
- 2 Jantsa Wheel Size Product Range
- 4 Main Definitions
- 5 Wheel Specifications
- 6 Hole Details
- 7 Wheel Centering Systems
- 8 Safety & Mounting Recommendations
- 9 Tubeless 15° Dc Wheels For Commercial Vehicles
- 14 Demountable Rims
- 15 Implement Wheels
- 20 General Conditions Of Sale
- 21 Multi-Piece Heavy Duty Truck Wheels
- 24 Rim, Ring & Combined Ring Matching
- 27 Agro Industrial & Industrial Vehicle Wheels
- 31 Single Piece Agricultural Wheels
- 35 Tubeless & Tube Type Light Commercial Vehicle Wheels
- 37 Multi-Piece Agricultural Implement Wheels For low Speed Applications
- 40 Warranty Policy

## MAIN FACTS

Name	JANTSA JANT SANAYI ve TICARET A.S.
Location	Organize Sanayi Bölgesi, 09630 Umurlu / Aydın / Turkey
Total Manufacturing Area	100.000 M <sup>2</sup>
Manufacturing Facilities	<ul style="list-style-type: none"><li>• JANTSA 1 (Main Plant and headquarters - Aydın / Turkey)</li><li>• JANTSA 2 (Production of lock and side rings – Aydın / Turkey)</li><li>• JANTSA MAGNETTO joint production (Main Plant for JM wheels Aydın / Turkey)</li></ul>
Annual Production Capacity	1.8 million wheels
Export Markets	More than 80 countries
Share of Export in Total Turnover	Approximately 75%
Technical Cooperation Partners	LBF (Fraunhofer institute), Dokuz Eylul University, BV (Bureau Veritas)
Production Range	Wheels for commercial vehicles (Trucks, Buses, Trailers, etc...) Wheels for industrial machines (Cranes, Loaders, Graders, Excavators, Bulldozers, Forklifts, etc...) Wheels for Agricultural Implements/Machines (Tractors, Foresters, Harvesters, Agricultural Mixers and Trailers, etc...) Wheels for light commercial vehicles (Pick-up Trucks, Minibuses, etc...) Wheels for military vehicles (Armored vehicles, tanks, etc...)

## COMPANY PROFILE

JANTSA A.S., was established in Atca (Turkey) in 1977 & today is Turkey's largest wheel manufacturer, and one of the biggest companies operating in this field in Europe. JANTSA is one of the leading companies in the world in respect of variety of product, shortest production lead times and development of new products.

JANTSA manufactures over 200 sizes in more than 3000 different models of wheels. Annual production capacity of the company is 1.800.000 wheels, with approximately 75% being exported to over 80 countries all over the world.

Constant evolution of JANTSA is guaranteed by on-going investment in our Production Processes, Quality Control, Research and Development activities and in our Human Resources.

Road safety in many respects is dependent on quality of the wheel. Therefore JANTSA gives top priority to quality assurance of its products at every stage of production. We have a Quality Management System which is implemented throughout our processes. Finished products are regularly tested at independent laboratories, by international quality control organizations and during in-field performance tests by our customers.

JANTSA is able to develop and put new products into production in the shortest time, utilizing a combination of automated and manual production processes supported by our in-house tooling shop. At every step of production the JANTSA team is focused on manufacturing wheels to the highest quality standard whilst maximizing efficiency, respecting the environment & economically using resources.

All production facilities of JANTSA have passed environmental management certification approved by ISO 14001 Standard

The main purpose of JANTSA has always been and will always be to satisfy the expectations and requirements of our customers from all over the world in respect of quality, variety, service and price.

“THINK JANTSA.....”

# JANTSA WHEEL SIZ

Related Branches and Sizes	8	9	10	12	13	14	15	15,3	15,5	16	16,5	17	17,5	18	19
----------------------------	---	---	----	----	----	----	----	------	------	----	------	----	------	----	----

Tubeless, 15° DC Commercial / Agricultural	17,5
	5,25
	6,00
	6,75
	8,25
	10,50
	14,00

15° Tubeless Demountable Rims	"ISPIT Demountable Rim"	17,5
		6,00
		6,75

Heavy Duty Tube-Type Demountable Rims	"ISPIT Demountable Rim"	15
		6,0
		6,5
		7,0
		7,5

Implement Wheels	15	15,3	15,5	16		17	17,5	18
Flotation, Harvesty, Forestry, Agricultural	5,00	9,00	13,00	W6		13,00	6,75	W9
	6LB			W7,5		16,00	10,50	W11
	8LB			W8				W13
	10LB			W10				
	13LB							

Multi-Piece Heavy Duty Truck Wheels	15		16
	6,0		6,5
	6,5		
	7,0		
	7,5		

Industrial Vehicle Wheels	15		16,5
	6,0		8,25
	6,5		9,75
	8,0		12,00
	9,75		
	10,5		

Single Piece Tractor&Agricultural Wheels	12	15	16	18	19
	7,00	4,00	4,00	5,50	3,62
		6	4,50	6,00	4,50
		8	5,00		
		10	5,50		
		13			
		3D			

Tubeless & Tubetype Light Commercial Vehicle Wheels	14	15	16
	5J	5,50	4,50
	5,5J	6J	5,50
	6,0J		6,00
			6,50

Multi-Piece Agricultural Implement Wheels for Low Speed Applications	15	16	18
	6,00	5,50	13
	6,50	6,00	
		6,50	



# E PRODUCT RANGE

19,5	20	20,25	20,5	22	22,5	23	24	24,5	25	26	26,5	28	30	30,5	32	34	36	38	42	44
------	----	-------	------	----	------	----	----	------	----	----	------	----	----	------	----	----	----	----	----	----

19,5					22,5		24	24,5	<b>5</b>
6,0					6,75		8,5/5 <sup>0</sup>	8,25	
6,75					7,50				
7,50					8,25				
8,25					9,00				
11,75					11,75				
13,00					12,25				
14,00					13,00				
					14,00				
					15,00				

					22,5			24,5	<b>3</b>
					7,5			8,25	
					8,25				
					9,00				
					11,75				

	20			22			24	<b>4</b>
	6,5			8,0			8,0	
	7,0						8,5	
	7,5							
	8,0							
	8,5							

19,5	20	20,25	20,5		22,5	23	24	24,5		26	26,5		30	30,5	32			38	42	<b>22</b>
7,50	W9	14,00	14,00		16,00	19,00	DW16L	8,25		DW20B	20,00		DW18L	20,00	DW21			DH14	DH23	
8,25	W11		16,00		20,00		DW18L	13,00		DW25B	24,00			24,00	DW27			MW23B	DH28	
11,75	W13		18,00		24,00						28,00			28,00	DW30			MW25B		
13,00	W14														DW36			DW28		
14,00	14,00																			

	20			22			24	<b>5</b>
	6,0	11 SDC		8,0			8,0	
	6,5						8,5	
	7,0							
	7,5							
	8,0							
	8,5							
	9,0							
	10,00							
	10,00V							
	10,00W							
	11,00							
	11,00V							

	20		21		24	24,5	25	26		28	33		38	<b>11</b>
	8,0	10,00V	18 TL		8,0	11,75	9,50	17,00	W15L	W14L	13,00		14	
	8,0V	11,00			8,5	13,00	10,00	19,50	W16L	W15L				
	8,5	20,5			9,00	15,00	11,25	22,00		DW18L				
	8,5V	26,00			10,00		12,00	25,00						
					W13		12	36,00						
					DW13		13							
					DW14L		13,00							
					W15L		14,00							

Coming Soon...

Coming Soon...

	20			24		28	30	32	34	36	38	42	44	48	52	<b>17</b>
	5,50			W7		W9	DW12	W8	W15L	W8	DW10	W8	W8	W8	W8	
	W8			W8		W10	W13			W9	DW11					
	W10			W10		W11	W14L			W11	DW12					
				W12		W12	DW14L			W12	DW14					
				W13		W13	DW15L				DW16					
				W14												
				W15L												

20	<b>4</b>
5,5	

20	<b>4</b>
5,50	
6,00	
6,50	
7,00	
10	
11	
13	

Terms Rim, Disc and Wheel are often confused in daily life. In order to omit confusion it is important to understand difference between those definitions.

**Wheel** is a rotating component of the vehicle, which carries load of the vehicle and passes the torque. Wheel is located between tire and hub. Most of Steel Wheels manufactured by JANTSA consist of rim and disc assembled together.

**Rim** is a part of the wheel which serves as seat for the tire. According to standard JANTSA practice, all rim sizes are given in inches. Rims can be classified in two groups: multi-piece and single-piece rims.

**Single-piece** rims have one-piece rim design.

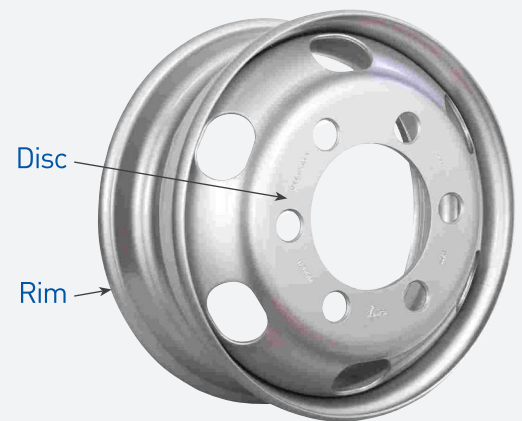
Multi-piece rims consist of rim itself and rings mounted on the rim.

The type of rim can be easily identified in JANTSA catalogue by sign between measuring dimensions in inches: "x" – for single-piece rims (22.5x11.75, 9.00x15.3 etc.) "-" – for multi-piece rims (8.5-20, 17.00-25/1.7 etc.)

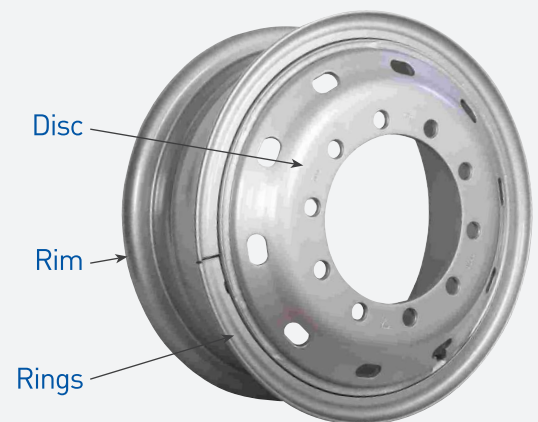
**Disc** serves as a connection part between wheel and hub (break drum/disc break) of the vehicle and is either welded or connected with bolts to the rim.

JANTSA is also manufacturing **Demountable rims** (discless wheels / spoke wheels) with adapter ring, spokes and clamps serving as a connection part of rim to the hub.

## Single-piece disc wheel



## Multi-piece disc wheel



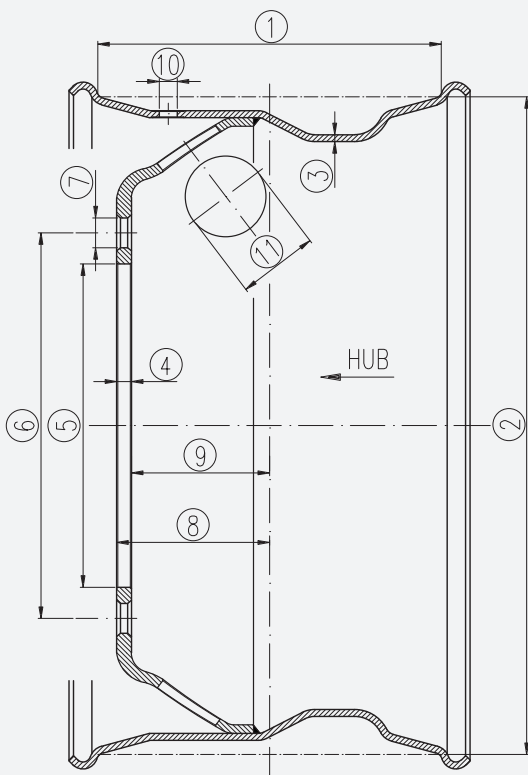
## Demountable rim



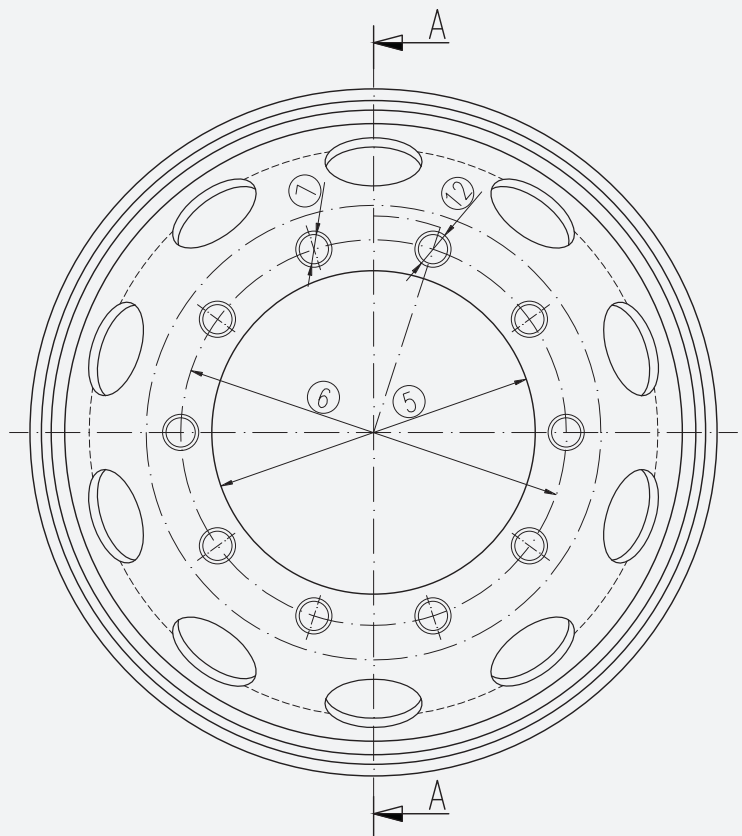
# WHEEL SPECIFICATIONS

1	Width of rim
2	Diameter of rim
3	Thickness of rim material
4	Thickness of disc material
5	Center hole diameter
6	PCD (Pitch Circle Diameter)
7	Bolt hole diameter
8	Offset
9	ET (Inset)
10	Valve Hole Diameter
11	Ventilation Hole Diameter
12	Diameter of countersink (for spherical)

**SECTION A - A**



**FRONT VIEW**



# HOLE DETAILS

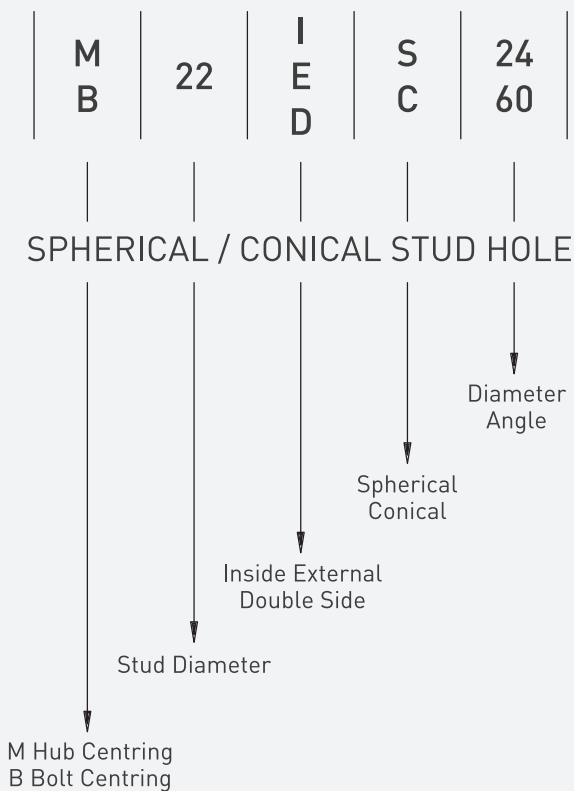
## SPHERICAL COUNTERSINK

Jantsa Standart	d2	d3	r	According to EUWA
1	18,5	24	14	B14 DS 28/B14 ES 28
2	21,5	27	16	B18 DS 32/B18 ES 32
3	27	32	18	B22 DS 36/B22 ES 36
4	20,5	25	14	
5	32,15	37	22,2	B19 DS 44,4/B19 ES 44,4
6	14	-	14	
7	15,5	-	14	
8	18,5	-	14	
9	20	-	14	
10	21	-	14	
11	20	-	12	
12	16	20	12	
26	15	20	13	
31	37	43	25	
33	26	32	18	M22 DS 36/M22 ES 36
34	29	34	22	

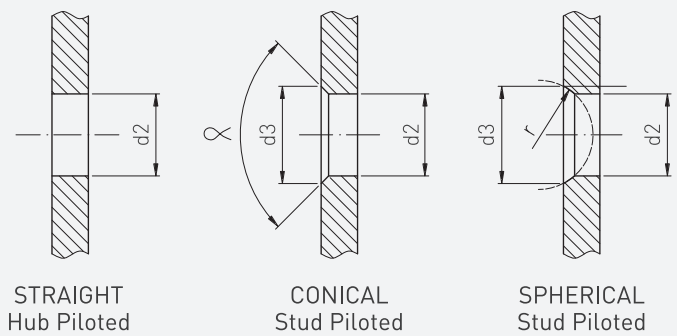
## CONICAL COUNTERSINK

Jantsa Standart	d2	d3	$\alpha$	According to EUWA
13	14	19,8	60°	
14	16	19,8	60°	
15	16	22	90°	
16	14,2	-	60°	
17	25,4	31,5	80°	B23 DC 80/B23 EC 80
18	18,5	-	60°	
19	16,8	-	60°	
20	28,6	36	90°	
21	21,5	27	90°	
22	12	-	80°	
23	-	17	60°	
24	13	16	90°	
25	10,5	-	60°	
37	26	31,5	80°	
38	16,3	-	90°	M23 DS 80/M23 ES 80

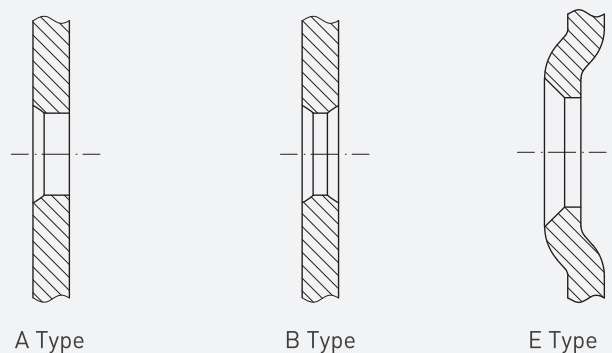
### EUWA STUD HOLE CODE



### COUNTERSINK TYPE



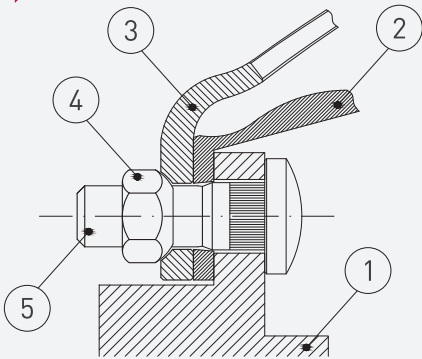
### BOLT HOLE TYPE





# WHEEL CENTERING SYSTEMS

## STUD CENTERED WHEEL



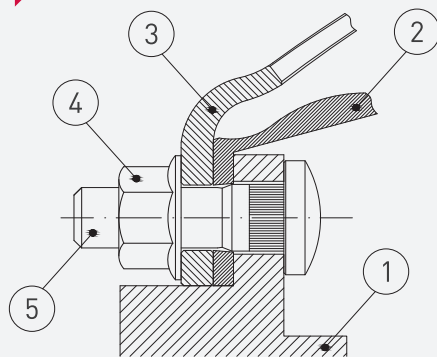
- 1- Hub
- 2- Drum
- 3- Disc
- 4- Nut
- 5- Bolt

The common types of mounting systems are Stud piloted, Hub piloted and Double piloted.

**Stud centered** system uses the studs on the wheel hub to guide and center the wheel. Chamfered bolt holes identify a stud centered wheel. These wheels are designed to be centered by conical or spherical nuts on the studs.

**Hub centered** systems use the actual wheel hub to guide and center the wheel. Hub centered wheels generally have straight bolt holes with no ball seat for nuts with flat washer (flange nuts). This feature provides a visual way of hub piloted wheels. These wheels require narrow tolerance of center hole dimensions.

## HUB CENTERED WHEEL



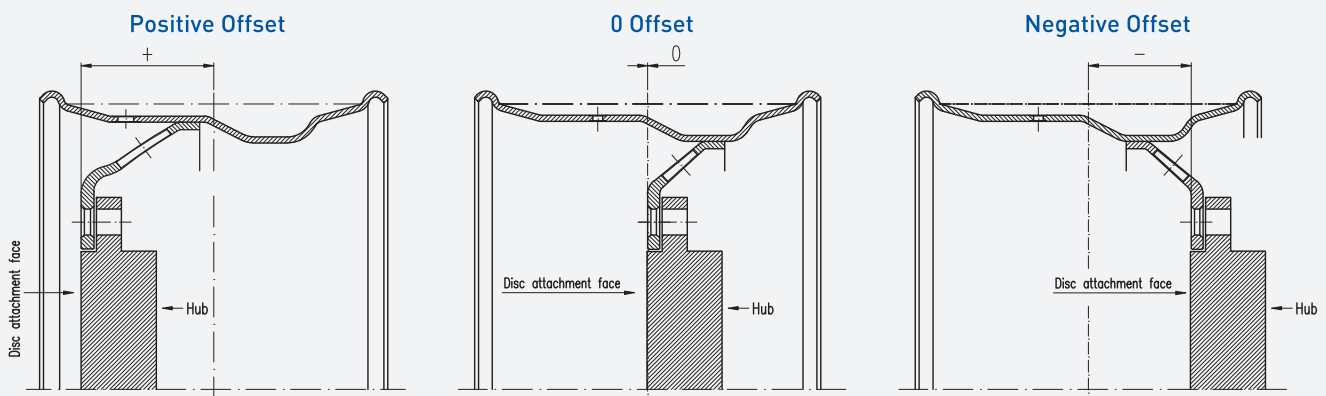
- 1- Hub
- 2- Drum
- 3- Disc
- 4- Nut
- 5- Bolt

**Double centered** mounting systems use both wheel hub and studs to guide and center the wheel. These wheels have bolt holes with countersinks together with center hole with a narrow tolerance. They mostly use spherical or conical nuts, but flange nuts like for hub-centered wheels can be also used.

It is imperative to use right components for each type of mounting and to fit wheels to the proper hubs. Mixing components of different mounting systems can lead to breaking of studs, decrease of torque, cracks on wheels and eventually wheel slippage.

## OFFSET

One of the most important dimensions of the disc wheel is **Offset**. As per JANTSA classification offset is a dimension from imaginary rim center line to outer disc surface. Disc wheel offset can be positive, negative or so-called "0-offset", please see pictures below for explanations.



For dual mounting applications Offset equals to "half dual spacing". Dual spacing is a distance between imaginary center lines of two rims in dual mounting. Values of tire clearance, overall vehicle width of tires, vehicle clearance and in some cases overall vehicle width are determined by value of dual spacing. Therefore, values of minimum dual spacing are regulated by a number of standards, including ETRTO and TR&A. Another measurement, commonly used by many manufacturers is **Offset ET** (from German "Einpresstiefe" or so-called "inset") which is a dimension from imaginary rim center line to inner disc attachment surface. Difference between value of Offset and Offset ET equals disc thickness of the wheel.

# SAFETY & MOUNTING RECOMMENDATIONS

It is important to handle wheels with maximum care, and pay special attention to its safe usage, **mounting, demounting** and **service**. Users have to follow all conditions and norms according to industry, national and international regulations. As JANTSA we will try to point out just those which we consider as the most common and important.

Before servicing, disc wheels have to be checked for following **possible damages**:

- Cracks on the disc and/or rim
- Asymmetric shape of disc contact surface
- Deformed (damage, burr, excessive corrosion etc) stud holes
- Deformed (damage, burr, excessive corrosion etc) flanges
- Excessive corrosion
- Excessive wear
- Damaged rings of multi-piece wheels

Using wheels/components under these conditions is strictly forbidden. Damaged parts should be replaced.

While **mounting the wheel on a hub** you have to ensure that all surfaces are clean, free from rust and deposits. Elements of different mounting types should not be confused, since this may result in loss of torque, disc surface cracks, bolts and studs damage, and loss of wheel. Applied torque level should correspond to instructions of vehicle manufacturer. Nuts installation has to be done crosswise, with gradual increase of torque level. Tightening of nuts on the wheel has to be checked 100 km after first installation and regularly during usage.

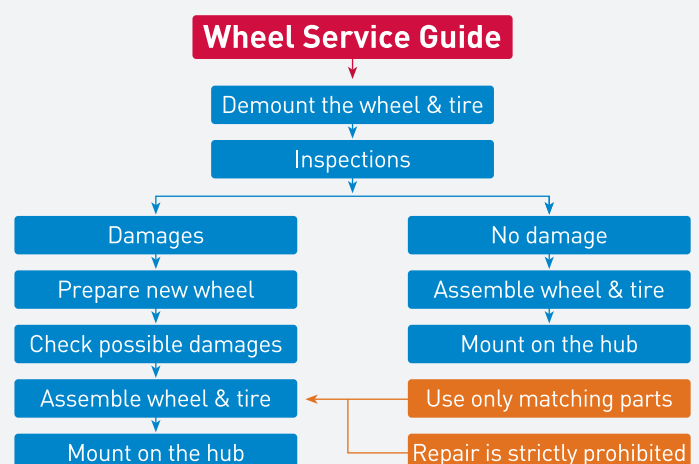
**Mounting and Demounting of tire on the wheel** has to be done by qualified personnel in well-equipped service points, according to specifications and procedures stipulated by ETRTO, TRA and other industry, national and international regulations. You have to ensure that all surfaces are clean, free from rust and deposits. It is crucial to match properly wheel and tire sizes according to above mentioned standards and recommendations of the vehicle manufacturer. Mismatch can result in serious damages and injuries. Diameter shown on the tire should exactly match the diameter stamped on the rim/wheel. Tires must be completely deflated before demounting wheel, or components of the wheel from the vehicle. Avoid standing in front of multi-piece wheels during assembly: damaged components might spring off.

Mixing components of various manufactures may result in fatal injuries, therefore only matching parts of one manufacturer and one wheel system can be assembled.

**Repair or of steel wheels** is strictly prohibited.

Especially dangerous is:

- Welding of rims or wheels
- Repair of damaged stud holes
- Repair of deformed center hole
- Straightening of disc contact surface
- Straightening of rim flanges



JANTSA does not bear obligation under warranty for goods if they were modified, repaired or processed. This instructions should be used only as a guide and can not be the only source of information of safety information on wheels.

www.jantsa.com

 **jantsa**

TUBELESS 15°  
DC WHEELS FOR  
COMMERCIAL  
VEHICLES

Ticari Araçlar İçin  
15° Eğimli Tubeless  
Jantlar





# TUBELESS 15° DC WHEELS FOR COMMERCIAL VEHICLES

TİCARİ ARAÇLAR İÇİN 15° EĞİMLİ TUBELESS JANTLAR



## TECHNICAL SPECIFICATIONS / TEKNİK ÖZELLİKLER

RIM DIAMETER JANT ÇAPI	WHEEL SIZE JANT EBATİ	TIRE SIZE LASTİK EBATİ	JANTSA PART NUMBER JANTSA KOD	CENTER HOLE (mm) PORYA ÇAPI	P.C.D. (mm) BIJON EKSEN ÇAPI	HOLE TYPE BIJON TİPİ (mm)	NUMBER OF BOLT HOLES BIJON SAYISI	OFFSET OFSET (mm)	LOAD CAPACITY @ TAŞIMA KAPASİTESİ 100 Km/h	
17.5"	17.5x5.25	7 R 17.5	525100	161	205	B2	6	124	1600	
			525108	150	208	B5	5	115	1300	
			525110	176	225	B33	10	116	1850	
	17.5x6.00	8R17.5	600100	161	205	B17	6	130	2100	
			600101	176	225	B33	10	133	2100	
			600102	146	203.2	B34	5	127	2100	
		8.5R17.5	600103	161	205	B2	6	127	2100	
			600107	150	208	B5	5	128	2100	
			600108	164	222.25	B3	6	128	2100	
		215/75 R 17.5	600119	146	203.2	B5	5	115	2100	
			600124	164	222.25	B5	6	135	2300	
			600136	146	203.2	B5	5	115	2300	
			225/75 R 17.5	600174	221	275	Ø24mm	8	134	2100
			600187	164	222.5	B-Ø32,5/Ø37	6	127	1850	
			600187	164	222.5	B-Ø32,5/Ø37	6	127	1850	
	17.5x6.75	9R17.5	675100	161	205	B2	6	145	2400	
			675101	176	225	B3	10	145	2750	
		9.5 R17.5	675102	176	225	B33	10	145	2750	
			675109	202	245.2	Ø21.5mm	6	140	2400	
		10 R 17.5	675116	164	222.25	B5	6	135	2750	
			675128	161	205	A2	6	0	2750	
		215/75 R 17.5	675135	176	225	Ø26mm	10	135	2750	
			675151	176	225	Ø26mm	10	145	2750	
			675158	min 120.95/ max 121.1	165.1	Ø17.4mm	8	inset 4,8	2400	
		225/75 R 17.5	675181	165.1	222.25	B-Ø31,7/Ø37,7/ R22,2	10	157	2400	
		235/75 R 17.5	675703	221	275	Ø26 mm	8	142	2750	
		17,5x10,5	14-17,5	105192	221	275	A2	8	0	2800
	17,5x14,00	400/45 L 17,5	140175	221	275	A2	8	0	3800	

Not all items are listed in this catalog. Please contact us for any application that you do not see in this catalog.



# TUBELESS 15° DC WHEELS FOR COMMERCIAL VEHICLES

TİCARİ ARAÇLAR İÇİN 15° EĞİMLİ TUBELESS JANTLAR



## TECHNICAL SPECIFICATIONS / TEKNİK ÖZELLİKLER

RIM DIAMETER JANT ÇAPİ	WHEEL SIZE JANT EBATİ	TIRE SIZE LASTİK EBATİ	JANTSA PART NUMBER JANTSA KOD	CENTER HOLE (mm) PORYA ÇAPİ	P.C.D. (mm) BIJON EKSEN ÇAPİ	HOLE TYPE BIJON TİPİ (mm)	NUMBER OF BOLT HOLES BIJON SAYISI	OFFSET OFSET (mm)	LOAD CAPACITY@ TAŞIMA KAPASİTESİ 100 Km/h
19.5"	19.5x6.00	8.00 R 19.5	600191	153.2	203.2	Ø32.5/Ø37/R22	5	135	2350
			600196	125.1	170	Ø15,9 mm	8	94	2350
			600199	127	165.1	A-Ø16,6/Ø23,3/90°	8	106.5	2350
	19.5x6.75	9.5 R 19.5	675189	221	275	B3	8	145	2850
			675191	164	222.25	B5	6	145	2850
		245/70 R 19.5	675197	176	225	B33	10	145	2850
			675503	125.1	170	Ø16,2mm	8	0	2850
			675504	221	275	Ø24mm	8	145	2850
			750190	176	225	Ø26mm	10	150	2950
	19.5x7.50	10 R 19.5	750193	221	275	B2	8	156	2950
		245/70 R 19.5	750198	164	222.25	B5	6	155	2950
		265/70 R 19.5	750337	220	285.75	Ø26mm	10	156	2650
			750338	221	275	B17	8	156	2950
		11 R 19.5	750362	220	285.75	Ø26mm	10	162.5	2950
	19.5x8.25	285/70 R 19.5	825102	176	225	Ø26mm	10	164	3150
			825111	221	275	Ø24mm	8	164	3150
	19.5x11.75	15 R 19.5	111950	221	275	Ø26mm	8	0	4250
			111958	281	335	Ø26mm	10	0	4250
	19.5x13.00	425/65 R 19.5	131952	281	335	Ø26mm	10	Negative 63	4300
			131953	221	275	A3	8	0	4300
	19.5x14.00	445/65 R 19.5	141950	221	275	Ø24mm	8	0	4500
			141952	281	335	B3	10	0	4500
			141958	281	335	B33	10	0	4500
			141977	221	275	Ø26mm	8	0	4500

Not all items are listed in this catalog. Please contact us for any application that you do not see in this catalog.

# TUBELESS 15° DC WHEELS FOR COMMERCIAL VEHICLES

TİCARİ ARAÇLAR İÇİN 15° EĞİMLİ TUBELESS JANTLAR



## TECHNICAL SPECIFICATIONS / TEKNİK ÖZELLİKLER

RIM DIAMETER JANT ÇAPI	WHEEL SIZE JANT EBATİ	TIRE SIZE LASTİK EBATİ	JANTSA PART NUMBER JANTSA KOD	CENTER HOLE (mm) PORYA ÇAPI	P.C.D. (mm) BIJON EKSEN ÇAPI	HOLE TYPE BIJON TİPİ (mm)	NUMBER OF BOLT HOLES BIJON SAYISI	OFFSET OFSET (mm)	LOAD CAPACITY@ TAŞIMA KAPASİTESİ 100 Km/h
22.5"	22,5x6,75	9 R 22,5	675214	281	335	Ø26mm	10	144	2950
	22.5x7.50	10R22.5	750201	221	275	A2	8	0	2850
			750202	161	205	A2	6	0	2850
		11R22.5	750203	281	335	B3	10	153	3400
			750204	221	275	B2	8	153	3400
			750206	281	335	Ø26mm	10	153	3400
		750240	221	275	B17	8	153	3250	
		22.5x8.25	11R22.5	825201	281	335	B3	10	165
	12R22.5		825202	281	335	Ø26mm	10	165	3750
			825206	281	335	Ø26mm	10	0	3250
	12R22.5		825208	221	275	B17	8	6,5	3750
	275/80R22.5		825213	221	285	B5	8	163	3850
			825231	221	285.75	B5	10	165	3750
	295/80R22.5		825252	221.6	285.75	B5	10	168	3360
	315/70R22.5		825272	220	285.75	Ø26mm	10	168	3360
		825273	281	335	Ø26mm	10	171.5	3750	
	22.5x9.00	12R22.5	900249	281	335	Ø26mm	10	175	4000
		13R22.5	900250	281	335	B3	10	175	4000
		315/70R22.5		221	285	B5	8	175	4000
		295/70R22.5	900255	221	285	B5	8	175	4000
		295/80R22.5	900229	220	285.75	Ø26mm	10	178	4000
		295/75R22.5	900251	221.5	285.75	B5	10	178	4350
		315/75R22.5	900275	220	285.75	Ø28.5mm	10	inset 133,5	4000
		315/80R22.5	900295	220	285.75	Ø26mm	10	178	4550

Not all items are listed in this catalog. Please contact us for any application that you do not see in this catalog.

# TUBELESS 15° DC WHEELS FOR COMMERCIAL VEHICLES

TİCARİ ARAÇLAR İÇİN 15° EĞİMLİ TUBELESS JANTLAR

**jant**sa

TUBELESS 15° DC WHEELS  
TİCARİ JANTLAR



## TECHNICAL SPECIFICATIONS / TEKNİK ÖZELLİKLER

RIM DIAMETER JANT ÇAPİ	WHEEL SIZE JANT EBATİ	TIRE SIZE LASTİK EBATİ	JANTSA PART NUMBER JANTSA KOD	CENTER HOLE (mm) PORYA ÇAPİ	P.C.D. (mm) BIJON EKSEN ÇAPİ	HOLE TYPE BIJON TİPİ (mm)	NUMBER OF BOLT HOLES BIJON SAYISI	OFFSET OFFSET (mm)	LOAD CAPACITY@ TAŞIMA KAPASİTESİ 100 Km/h
22.5"	22.5x11.75	15R22.5	117599	281	335	Ø26mm	10	Inset135	4500
			117665	281	335	Ø26mm	10	Inset120	4500
		365/70R22.5	117667	281	335	Ø26mm	10	0	4500
	22.5x12.25	385/65R22.5	122502	291	335	A-Ø21/Ø36.8/R22.2	5	Negative 41	5200
			122513	220	285.75	Ø26mm	10	0	5000
			122517	221.5	285.75	B5	10	Inset101.5	4800
			122518	221.5	285.75	B5	10	Inset120.5	5200
	22.5x13.00	16.5R22.5 425/65R22.5	130207	281	335	Ø26mm	10	0	4800
			130257	220	285.75	Ø26mm	10	Inset133.5	5200
			130258	220	285.75	Ø26mm	10	16	5200
			130263	281	335	B3	10	Inset130	4800
	22.5x14.00	18R22.5 465/65R22.5	140203	281	335	B33	10	0	5200
			140206	281	335	Ø26mm	10	0	5200
			140248	220	285.75	Ø26mm	10	Negative 51	5200
			140253	281	335	B3	10	Inset90	5200
22.5x15.00	500/45-22.5 500/60-22.5	140254	281	335	B3	10	Inset120	5200	
		150201	281	335	Ø26mm	10	Inset120	5600	
		150202	281	335	Ø26mm	10	0	5600	
24.5"	24.5X8.25	12R24.5	245827	220	285.75	Ø26mm	10	168 <sup>±2</sup>	3550
			245828	221.5	285.75	B5	10	168 <sup>±2</sup>	3400
			245829	221	285.75	B5	10	168 <sup>±2</sup>	3750

Not all items are listed in this catalog. Please contact us for any application that you do not see in this catalog.

## TUBELESS 15° DEMOUNTABLE RIMS

TİCARİ ARAÇLAR İÇİN 15° EĞİMLİ TUBELESS JANTLAR



### TECHNICAL SPECIFICATIONS / TEKNİK ÖZELLİKLER

RIM SIZE JANT ÇAPI	JANTSA PART NUMBER JANTS KOD	RIM OFFSET (mm) OFSET	RECOMMENDED VALVE
17.5x6.00	600900	93	TR572
17.5x6.75	675900	100	TR572
22.5x7.50	750900	115	V3.14.3
22.5x8.25	825900	120	V3.14.3
	825901	107	TR573
	825902	120	TR573
22.5x9.00	900900	120	V3.14.3
	900901	127	TR574



## MULTI-PIECE TYPE DEMOUNTABLE RIMS

AĞIR VASITA MONTAJ PARÇALARI

RIM SIZE JANT ÇAPI	JANTSA PART NUMBER JANTS KOD	TIRE SIZE LASTİK EBADI
6.0-15	0250	750-15
6.5-15	0252	825-15
7.0-15	0254	900-15
7.5-15	0256	1000-15
6.5-20	01207	825-20
7.0-20	0257	900-20
7.5-20	0775	1000-20
8.0-20	0468	1100-20
8.0-22	01243	1100-22
8.5-20	0794	1200-20
8.0-24	0467	1100-24
8.5-24	0516	1200-24





www.jantsa.com

 **jantsa**

IMPLEMENT WHEELS  
FLOTATION  
HARVESTY  
FORESTRY  
AGRICULTURAL

Özel Ekipman Jantları  
Geniş Taban  
Biçer Döver  
Ormanlık Arazi  
Tarımsal

# IMPLEMENT WHEELS FLOTATION / HARVESTY / FORESTRY / AGRICULTURAL

ÖZEL EKİPMAN JANTLARI GENİŞ TABAN / BİÇER DÖVER / ORMANLIK ARAZI / TARIMSAL



## TECHNICAL SPECIFICATIONS / TEKNİK ÖZELLİKLER

RIM DIAMETER JANT ÇAPİ	WHEEL SIZE JANT EBATİ	TIRE SIZE LASTİK EBATİ	JANTSA PART NUMBER JANTSA KOD	CENTER HOLE (mm) PORYA ÇAPİ	P.C.D. (mm) BIJON EKSEN ÇAPİ	HOLE TYPE BIJON TİPİ (mm)	NUMBER OF BOLT HOLES BIJON SAYISI	OFFSET OFSET (mm)
15"	5,00x15	7.00-15	15500	92.3	127	A-ø14.5/18.5/90°	4	0
	6LBx15	7.00-15	15600	114.3	152.4	A-ø15/18.5/90°	6	Inset 29
		7.50-15TR	15601	190.85	241.3	A-17.5/23.8/90°	8	6.5
	8LBx15	225/70R15	15800	79.5	114.3	A-ø13.5/18.5/60°	5	0
			15801	115	165	A-ø18.5/25/80°	5	0
		235/70R15	15802	117.5	152.4	ø17.5mm	6	Inset 21.5
	10LBx15	29x12.5 - 15	10150	90	150	ø15.5mm	6	Negative 42
			10151	94	140	ø15mm	5	Negative 15
		29x13.5 - 15	10154	93.5	140	ø17.5mm	10	Inset 51
			13150	93.1	140	ø15.8mm	10	Inset 30
	13LBx15	31x15.5 - 15	13152	201.6	241.3	A-ø17.5/22/90°	9	Inset 50.5
			13155	117.4	152.4	A-ø15/20/90°	6	Negative 6.5
33x15.5 - 15		13157	123.5	165.1	A-ø17.5/25.4/82°	8	0	
15.3"	9,00x15,3	10.0/11.5 - 15,3	91531	161	205	A2	6	Negative 70
		10.0/75 - 15,3	91535	161	205	A2	6	0
		12.5/80 - 15,3	91548	90	125	ø16mm	5	15
15.5"	13x15,5	400/60-15,5	130155	161	205	A2	6	0
			130156	161	205	A2	6	Negative 35
16"	W6x16	215/65 - 16	16600	142.9	184.1	A-ø18/25.4/90°	6	21.5
			16603	142	184.1	ø17/25.4/90°	6	21.8
			16604	90	150	ø15.5mm	6	Inset 52
	W7.5x16	230/80 - 16	16752	152.4	203.2	ø17.2/21.5/R14	8	55
	W8x16	10.5/65 - 16	16807	110	160	A1	5	0
			16811	84	130	A1	5	25
			16819	161	205	A2	6	0
W10x16	11.00-16 SL	16010	117.7	152.4	B-	6	28.5	
17"	13x17	15.0/55-17	130170	161	205	A2	6	0
	16x17	19/45-17 48.0/45-17	160170	161	205	A2	6	0

Not all items are listed in this catalog. Please contact us for any application that you do not see in this catalog.

TECHNICAL SPECIFICATIONS / TEKNİK ÖZELLİKLER

RIM DIAMETER JANT ÇAPİ	WHEEL SIZE JANT EBATİ	TIRE SIZE LASTİK EBATİ	JANTSA PART NUMBER JANTSA KOD	CENTER HOLE (mm) PORYA ÇAPİ	P.C.D. (mm) BIJON EKSEN ÇAPİ	HOLE TYPE BIJON TİPİ (mm)	NUMBER OF BOLT HOLES BIJON SAYISI	OFFSET OFSET (mm)	
17.5"	17.5x6.75	9 R 17.5	675108	161	205	A2	6	0	
		9.5 R 17.5	675139	221	275	B2	8	141	
		10 R 17.5	675142	161	205	A2	6	0	
		215/75 R 17.5	675143	161	205	B2	6	145	
		225/75 R 17.5	675162	121.3	165.1	ø17.4	8	0	
		235/75 R 17.5	675708	221	275	A2	8	0	
	17.5x10.5	14 R 17.5	105175	273	314.3	A-ø17.4/ø21.6/90°	8	0	
			105177	202	241.3	A-ø17.4/ø23.8/90°	9	Negative 26.5	
			105178	221	275	A3	8	0	
			140175	221	275	A2	8	0	
17.5x14.00	400/65 L 17.5	140175	221	275	A2	8	0		
18"	9x18	10.5/80-18	18934	221	275	A2	8	0	
		12.5/80-18	18935	161	205	A2	6	0	
			18945	221	275	ø21mm	8	60	
	11x18	13.0/65-18	11189	221	275	A2	8	0	
			11190	161	205	A2	6	0	
			11304	291	335	A-ø21.5/ø35.5/ R22.4	5	42	
	13x18	15.5/70R18	13183	161	205	A2	6	0	
			405/70R18	13190	221	275	A2	8	0
			9.5 R 19.5	750194	161	205	A2	6	0
			10 R 19.5	750195	221	275	A2	8	0
19.5"	19.5x7.50	245/70 R 19.5	750301	161	205	A2	6	0	
		265/70 R 19.5	750301	161	205	A2	6	0	
		11 R 19.5	750301	161	205	A2	6	0	
			750301	161	205	A2	6	0	
	19.5x8.25	285/70 R 19.5	825100	161	205	A2	6	0	
			825101	221	275	A2	8	0	
	19.5x11.75	15 R 19.5	111953	161	205	A2	6	0	
			111954	221	275	A2	8	0	
	19.5x13.00	425/65 R 19.5	131961	221	275	A2	8	0	
			131962	161	205	A2	6	0	
	19.5x14.00	445/65 R 19.5	141956	161	205	A2	6	0	
			141957	221	275	A2	8	0	
			141986	176	225	A3	10	0	
	20"	9x20	300/70R20	92014	221	275	A2	8	0
13/80R20			92026	161	205	A2	6	0	
11x20		340/80R20	20124	281	335	B3	10	0	
			375/75R20	20126	161	205	A2	6	78
			335/80R20	20314	221	275	B3	8	0
			365/80R20	20314	221	275	B3	8	0
13x20		420/65R20	20140	290.5	335	A-ø21.5/ø38/ r22.4	5	35	
			420/75R20	20142	281	335	A3	10	0
			425/75R20	20143	221	275	A3	8	0
14x20		16/70-20	14213	221	275	A2	8	0	
			440/65R20	14215	161	205	A2	6	0
16x20		500/55-20	160501	221	275	A2	8	0	
	500/55-20		160502	161	205	A2	6	0	



# IMPLEMENT WHEELS FLOTATION / HARVESTY / FORESTRY / AGRICULTURAL

ÖZEL EKİPMAN JANTLARI GENİŞ TABAN / BİÇER DÖVER / ORMANLIK ARAZI / TARIMSAL



## TECHNICAL SPECIFICATIONS / TEKNİK ÖZELLİKLER

RIM DIAMETER JANT ÇAPİ	WHEEL SIZE JANT EBATİ	TIRE SIZE LASTİK EBATİ	JANTSA PART NUMBER JANTSA KOD	CENTER HOLE (mm) PORYA ÇAPİ	P.C.D. (mm) BIJON EKSEN ÇAPİ	HOLE TYPE BIJON TİPİ (mm)	NUMBER OF BOLT HOLES BIJON SAYISI	OFFSET OFSET (mm)
20.5"	20.5x14.00	465/65R20.5	205145	221	275	A2	8	0
			205146	281	335	A3	10	0
	20.5x18.00	24R20.5	205160	281	335	ø26mm	10	inset 70
			205180	281	335	B33	10	0
22.5"	22.5x7.50	275/80 R 22.5	750201	221	275	A2	8	0
			750202	161	205	A2	6	0
	22.5x8.25	11 R 22.5	825204	161	205	A2	6	0
			825205	221	275	A2	8	0
			825224	152.4	203.2	B-ø17/ø23/90°	8	0
	22.5x9.00	12R22.5	900211	161	205	A2	6	0
			900212	221	275	A2	8	0
			900234	281	335	A3	10	0
	22.5x11.75	13R22.5	117559	281	335	B3	10	0
			117560	221	275	A2	8	0
			117561	161	205	A2	6	0
			117579	221	275	A3	8	0
	22.5x13.00	13R22.5	130224	221	275	A2	8	0
			130229	161	205	B2	6	0
			130245	281	335	A3	10	0
	22.5x14.00	425/65R22.5	140216	221	275	A2	8	0
			140219	281	335	A3	10	0
	16.00x22.5	465/65R22.5	162295	281	335	A3	10	0
			162321	281	335	B3	10	Inset 50
			162328	161	205	A2	6	0
			162342	281	335	B33	10	0
	20.00x22.5	500/45-22.5	162344	221	275	A3	8	Negative 50
			200226	281	335	A3	10	0
			200227	281	335	A3	10	Negative 50
200228			221	275	B2	8	Negative 100	
24.00x22.5	600/55-22.5	240225	221	275	A2	8	0	
		240226	281	335	A3	10	0	
		240227	281	335	B3	10	Negative 100	

Not all items are listed in this catalog. Please contact us for any application that you do not see in this catalog.



TECHNICAL SPECIFICATIONS / TEKNİK ÖZELLİKLER

RIM DIAMETER JANT ÇAPİ	WHEEL SIZE JANT EBATİ	TIRE SIZE LASTİK EBATİ	JANTSA PART NUMBER JANTSA KOD	CENTER HOLE (mm) PORYA ÇAPİ	P.C.D. (mm) BİJON EKSEN ÇAPİ	HOLE TYPE BİJON TİPİ (mm)	NUMBER OF BOLT HOLES BİJON SAYISI	OFFSET OFSET (mm)
23"	19.00x23	30/21.5R-23	190230	281	335	A33	10	0
	DW16x24	19.50-24	16024	221	275	A2	8	0
24"	DW18x24	20.50-24	18024	221	275	A2	8	0
			18025	221	275	A2	8	Negative 50
24.5"	24.5X8.25	12 R 24.5	245825	152.4	203.2	B-ø16,6/ø20,6/90	8	Negative 38
	24.5x13.00	15 R 24.5	245130	281	335	A-ø30.1/ø36.5/R22.2	10	0
26"	DW20Bx26	23.10-26	20260	281	335	A3	10	0
		24L-26	20264	221	275	A2	8	Negative 50
	DW25Bx26	28L-26	25260	281	335	A3	10	0
		30.50L-26	25265	221	275	A2	8	Negative 100
26.5"	20.00x26.5		200267	221	275	B2	8	Negative 50
			200270	281	335	A3	10	Negative 50
			200271	281	335	B3	10	0
	24.00x26.5		240265	221	275	B2	8	Negative 50
			240266	281	335	A3	10	0
			240267	281	335	B3	10	Negative 50
			240278	221	275	A2	8	Negative 100
	28.00x26.5		280265	281	335	A3	10	0
		280275	221	275	B2	8	Negative 100	
30"	DW18Lx30	600/70R30	30800	281	335	A3	10	60
30.5"	20.00x30.5	600/55-30.5	200307	221	275	A2	8	0
		800/60-30.5	200312	281	335	A3	10	0
			300313	281	335	A3	10	Negative 50
	24.00x30.5	650/80-30.5	240305	221	275	A2	8	Inset 100
		700/50-30.5	240312	281	335	A3	10	0
		750/60-30.5	240313	281	335	A3	10	Negative 50
	28.00x30.5	800/45-30.5	280306	221	275	A2	8	Inset 50
		800/55-30.5	280309	221	275	A2	8	Negative 100
850/50-30.5		280312	281	335	A3	10	0	
		280313	281	335	A3	10	Negative 50	
32"	DW21Bx32	24.5R32	21320	281	335	A3	10	0
		680/70R32	21321	281	335	A3	10	Negative 50
		680/75R32	21326	222.25	285.75	ø21mm	10	Inset 41
	DW27Bx32	30.5L32	27320	281	335	A3	10	0
		800/65R32	27321	281	335	A3	10	Negative 50
			27334	221	275	A3	8	Negative 74
DW30Bx32	35.5Rx32	30320	370.8	425	ø24.5mm	12	0	
DW36x32	1050/50R32	36320	221	275	ø26mm	16	Inset 11	
38"	DWW30Bx38	900/60R38	COMING SOON...					
	DW14x38	480/70R38	COMING SOON...					
	MW23Bx38	710/70R38	23380	600.25	652	ø22mm	16	0
	MW25Bx38	710/70R38	25380	613	662	ø22mm	20	67.5
	DW28x38	900/60R38	COMING SOON...					
42"	DW18Lx42	20.8-42	COMING SOON...					
	MW23Bx42	710/70R42	23420	613,5	662	ø22mm	20	108
	DW28Bx42	900/50R42	COMING SOON...					

# GENERAL CONDITIONS OF SALE

## OFFERS

Unless otherwise stated, offers from JANTSA are valid for 30 days from the date of issue.

Offers from JANTSA are confidential and are not to be passed on to third parties.

## ORDERS

Orders transmitted to JANTSA shall be written and either sent via mail, fax, or e-mail. Verbal orders will not be considered binding.

If a buyer transmits a written order to JANTSA or if JANTSA transmits a written quotation to the Buyer constituting an offer stating price, amount and terms an official order will only come into existence when the Buyer accepts JANTSA's offer by returning a signed confirmation.

Orders of any kind can neither be cancelled nor altered 14 days after their confirmation by JANTSA. Alterations will be allowed only by a revised confirmation by JANTSA which must be re-confirmed by the Buyer.

## PAYMENTS

The payment of invoices must be remitted via direct deposit to the Seller's bank within the terms and conditions stated on the final official order.

Late payment will incur minimum 1% interest per month over the agreed terms of payment.

In case of claims and complaints put forth, the Buyer will not put a hold on any invoice and/or past due payments unless by prior agreement with the Seller.

## CLAIMS

JANTSA will only consider claims after receiving and/or checking the defective goods or the viewing photo's of wheels (if enough to confirm) within 3 months after the complaint is lodged. Other than defects in workmanship and materials, JANTSA will not accept responsibility for any improper uses which do not conform to the specifications indicated in the catalogue.

## DELIVERY TERMS

Delivery Terms will be indicated in every written contract between Buyer and JANTSA.

Delivery Terms stated in JANTSA's offers and/or acknowledgements are not guaranteed and may vary under certain circumstances. JANTSA will not be deemed responsible for any delay in delivery if caused by circumstances beyond their control including but not limited to machinery breakdown, labor problems and/or clauses of force majeure. Claims for such delays shall not entitle the Buyer to cancel their order on JANTSA or request credit from JANTSA for the delay.



 **jantsa**

**MULTI-PIECE  
HEAVY DUTY  
TRUCK WHEELS**

**Çok Parçalı  
Ağır Vasıta  
Jantları**



# MULTI-PIECE HEAVY DUTY TRUCK WHEELS

ÇOK PARÇALI AĞIR VASITA JANTLARI



## TECHNICAL SPECIFICATIONS / TEKNİK ÖZELLİKLER

RIM DIAMETER JANT ÇAPİ	WHEEL SIZE JANT EBATİ	TIRE SIZE LASTİK EBATİ	JANTSA PART NUMBER JANTSA KOD	CENTER HOLE (mm) PORYA ÇAPİ	P.C.D. (mm) BIJON EKSEN ÇAPİ	HOLE TYPE BIJON TİPİ	NUMBER OF BOLT HOLES BIJON SAYISI	OFFSET OFSET (mm)	LOAD CAPACITY (KG.) TAŞIMA KAPASİTESİ	SPEED (KM/H) HIZ
15"	6.0-15	750-15	60800	161	205	B2	6	122	2200	100
			65155	176	225	Ø26mm	10	135	2450	100
	6.5-15	825-15	65160	161	205	A2	6	0	2450	100
			70156	176	225	B3	10	142	2700	100
	7.5-15	1000-15	75155	176	225	Ø26mm	10	155	2900	100
			75161	176	225	Ø26mm	10	0	2900	100
20"	6.0-20	750-20	60250	281	335	B3	10	145	2500	100
			60252	164	222.25	B5	6	135	2100	100
	6.5-20	825-20	65250	221	275	B3	8	150	2600	100
			65255	281	335	Ø26mm	10	146	2600	100
	6.5-20	825-20	65262	281	335	Ø26mm	10	112.5	2600	100
			70201	221	275	B17	8	157	2400	100
	7.0-20	900-20	70204	281	335	B3	10	153	3000	100
			70214	221	275	B2	8	77	3000	100
			70218	221	*285*	B5	8	160	3000	100
	7.5-20	1000-20	75202	281	335	Ø26mm	10	165	3400	100
			75207	221	*285*	B5	8	165	3400	100
	8.0-20	1100-20	75214	281	335	Ø26mm	10	160	3250	100
			75216	281	335	A3	10	0	3400	100
			*75400*	281	335	Ø26mm	10	165	3400	100
			80201	281	335	Ø26mm	10	172	3750	100
			80202	281	335	B3	10	172	3750	100
			80207	221	275	B3	8	0	3750	100
			80221	281	335	B3	10	172	3750	100
80231			221.5	285.75	B3	10	174	3750	100	
80233	221	*285*	B5	8	172	3750	100			
*80400*	281	335	Ø26mm	10	172	3750	100			

Not all items are listed in this catalog. Please contact us for any application that you do not see in this catalog

# MULTI-PIECE HEAVY DUTY TRUCK WHEELS

ÇOK PARÇALI AĞIR VASITA JANTLARI

**Jantsa**



RIM DIAMETER JANT ÇAPİ	WHEEL SIZE JANT EBATİ	TIRE SIZE LASTİK EBATİ	JANTSA PART NUMBER JANTSA KOD	CENTER HOLE (mm) PORYA ÇAPİ	P.C.D. (mm) BIJON EKSEN ÇAPİ	HOLE TYPE BIJON TİPİ	NUMBER OF BOLT HOLES BIJON SAYISI	OFFSET OFSET (mm)	LOAD CAPACITY (KG.) TAŞIMA KAPASİTESİ	SPEED (KM/H) HIZ
20"	8.5-20	1200-20	85201	281	335	Ø26mm	10	180	4450	100
			85202	281	335	B3	10	180	4450	100
			85203	281	335	Ø26mm	10	172	4450	100
			85209	221	285,75	B5	10	179	4450	100
			85210	221	*285*	B5	8	180	4450	100
			85214	281	335	B3	10	0	4250	100
			*85400*	281	335	Ø26mm	10	180	4450	100
	9.0-20	1200-20	90201	281	335	Ø26mm	10	141	4500	100
	10.00-20	1400 R 20	100201	281	335	B3	10	151	4750	100
		365/85 R 20	100204	221	275	A2	8	0	4750	100
		395/85 R 20	100222	281	335	Ø26mm	10	214	4750	100
	10.00V-20 TUBELESS	1400 R 20	100236	281	335	Ø26mm	10	Inset 120	5000	100
		335/80 R 20	100237	281	335	Ø26mm	10	68	5000	100
		365/80 R 20	100238	281	335	Ø26mm	10	45	5000	100
	10.00W-20 TUBELESS	16.00-20	100300	281	335	Ø26mm	10	Inset 120	5600	100
	11.00-20	14.00-20	110210	281	335	Ø26mm	10	Inset 130	4250	100
11.00V-20 TUBELESS	395/85 R 20	110214	281	335	Ø26mm	10	0	4500	100	
11-20 SDC	335/80 R 20	110223	221	275	Ø24mm	8	Inset 120	3550	100	
22"	8.0-22	11.00 R 22	22800	281	335	Ø26mm	10	172	4000	100
24"	8.0-24	1000-24TR	80241	229	286	Ø23mm	10	70	3800	100
		1100-24	80243	321	375	A-	12	92.5	4500	100
		1200 R 24	80244	281	335	Ø26mm	10	172	4500	100
	8.5-24 3PC	1200 R 24	85241	281	335	Ø26mm	10	180	5000	100
		1200 R 24	*85800*	281	335	B3	10	180	4750	100
	8.5-24 2PC	1200-24	*85801*	281	335	Ø26mm	10	172	4750	100
		1200 R 24	*85802*	281	335	Ø26mm	10	180	4750	100
	8,5-24 3PC TBL	325/95 R 24	85277	281	335	Ø26mm	10	180	4750	100
	8,5-24 1PC TBL	325/95 R 24	852400	281	335	Ø26mm	10	180	5000	100

Not all items are listed in this catalog. Please contact us for any application that you do not see in this catalog.

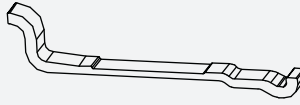
\*Marked part numbers are combined ring type (2 pcs) wheels!

# RIM, RING & COMBINED RING MATCHING

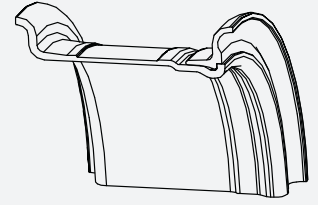
## 2 PIECE RIM



COMBINED RING



RIM BASE



2 PIECE

### RIM BASE MARKINGS

20"

Traceability Markings (7.0-8.0)  
Traceability Markings (8.5)

24"

Traceability Markings (8.5)

### COMBINED RING MARKINGS

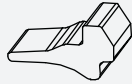
Jantsa-Size-20"-CR-Year (01946)  
Jantsa-Size-20"-CR-Year (01116)

Jantsa-Size-24"-CR-Year (01144)

## 3 PIECE RIM



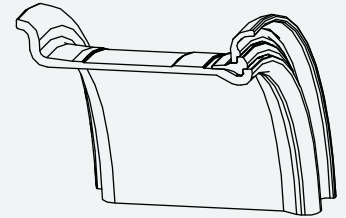
SIDE RING



LOCK RING



RIM BASE



3 PIECE

### RIM BASE MARKINGS

15"

Traceability Markings (6.0-6.5-7.0)  
Traceability Markings (7.5)  
Traceability Markings (8.0-8.5)  
Traceability Markings (9.75)

### SIDE RING MARKINGS

Jantsa-Size-15"-SR-Year (0828)  
Jantsa-Size-15"-SR-Year (01111)  
Jantsa-Size-15"-SR-Year (01112)  
Jantsa-Size-15"-SR-Year (0828)

### LOCK RING MARKINGS

Jantsa-Size-15"-LR-Year (01607)  
Jantsa-Size-15"-LR-Year (01607)  
Jantsa-Size-15"-LR-Year (01607)  
Jantsa-Size-15"-LR-Year (01607)

### NOTCHED LOCK RING MARKINGS

Jantsa-Size-15"-LRN-Year (01096)  
Jantsa-Size-15"-LRN-Year (01096)  
Jantsa-Size-15"-LRN-Year (01096)  
Jantsa-Size-15"-LRN-Year (01096)

20"

Traceability Markings (6.0-6.5-7.0)  
Traceability Markings (7.5)  
Traceability Markings (8.0-8.5)  
Traceability Markings (9.0)  
Traceability Markings (10.00)  
Traceability Markings (11.00)

Jantsa-Size-20"-SR-Year (01110)  
Jantsa-Size-15"-SR-Year (0758)  
Jantsa-Size-15"-SR-Year (01113)  
Jantsa-Size-15"-SR-Year (01113)  
Jantsa-Size-15"-SR-Year (01113)  
Jantsa-Size-15"-SR-Year (01113)

Jantsa-Size-20"-LR-Year (0759)  
Jantsa-Size-20"-LR-Year (0759)  
Jantsa-Size-20"-LR-Year (0759)  
Jantsa-Size-20"-LR-Year (0759)  
Jantsa-Size-20"-LR-Year (0759)  
Jantsa-Size-20"-LR-Year (0759)

Jantsa-Size-20"-LRN-Year (01093)  
Jantsa-Size-20"-LRN-Year (01093)  
Jantsa-Size-20"-LRN-Year (01093)  
Jantsa-Size-20"-LRN-Year (01093)  
Jantsa-Size-20"-LRN-Year (01093)  
Jantsa-Size-20"-LRN-Year (01093)

22"

Traceability Markings (8.0)

Jantsa-Size-22"-SR-Year (01266)

Jantsa-Size-22"-LR-Year (01264)

-----

24"

Traceability Markings (8.0-8.5-10.00)

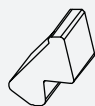
Jantsa-Size-24"-SR-Year (0789)

Jantsa-Size-24"-LR-Year (01115)

Jantsa-Size-24"-LRN-Year (01065)



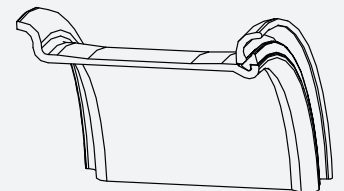
SIDE RING



LOCK RING



RIM BASE



3 PIECE

### RIM BASE MARKINGS

20"

Traceability Markings (10.00V-11.00V)

### SIDE RING MARKINGS

Jantsa-Size-20"-SR-Year (0975)

### LOCK RING MARKINGS

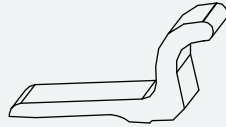
Jantsa-Size-20"-LR-Year (0974)



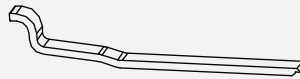
# RIM, RING & COMBINED RING MATCHING



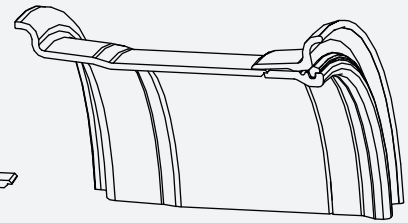
LOCK RING



SIDE RING



RIM BASE



3 PIECE

## RIM BASE MARKINGS

20"

Traceability Markings (11.00)

## SIDE RING MARKINGS

Jantsa-Size-20"-SR-Year (01204)

## LOCK RING MARKINGS

Jantsa-Size-20"-LR-Year (01609)

25"

Traceability Markings (9.5)  
Traceability Markings (10.00-14.00)  
Traceability Markings (12.00)  
Traceability Markings (17.00)

Jantsa-Size-25"-CR-Year (01179)  
Jantsa-Size-25"-CR-Year (01141)  
Jantsa-Size-25"-CR-Year (01224)  
Jantsa-Size-25"-CR-Year (01179)

Jantsa-Size-25"-LR-Year (01608)  
Jantsa-Size-25"-LR-Year (01608)  
Jantsa-Size-25"-LR-Year (01608)  
Jantsa-Size-25"-LR-Year (01608)

## 4 PIECE RIM



CONICAL RING



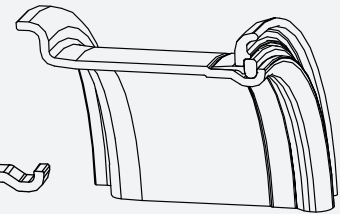
SIDE RING



SECURITY RING



RIM BASE



4 PIECE

## RIM BASE MARKINGS

24"

Traceability Markings (8.5)  
Traceability Markings (10.0)

## SIDE RING MARKINGS

Jantsa-Size-24"-SR-Year (01279)  
Jantsa-Size-24"-SR-Year (01145)

## SECURITY RING MARKINGS

Jantsa-Size-24"-SR-Year (01147)  
Jantsa-Size-24"-SR-Year (01147)

## CONICAL RING MARKINGS

Jantsa-Size-24"-CR-Year (01146)  
Jantsa-Size-24"-CR-Year (01146)

## 5 PIECE RIM



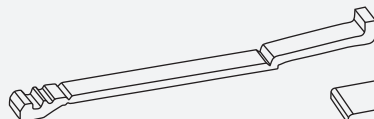
RIM BASE MARKINGS

Traceability Markings (11.25-13.25-17.00-19.5)  
Traceability Markings (22.00 - 25.00)



SIDE RING MARKINGS

1828 (11.25-17.00)  
1840 (22.00-25.00)



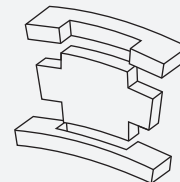
LOCK RING MARKINGS

1830 (11.25-13.25-17.00-19.5)  
1830 (22.00-25.00)



BEAD SEAT MARKING

1829 (11.25-13.00-17.00-19.5)  
1839 (22.00-25.00)



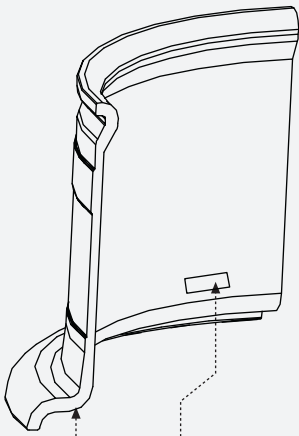
DRIVER KEY

1831 (11.25-13.25-17.00-19.5)  
1831 (22.00-25.00)

**NOTE :** JANTSA SIDE RINGS & LOCK RINGS ARE NOT INTERCHANGEABLE WITH ANY OTHER BRAND. FITTING OTHER BRAND RINGS TO JANTSA WHEEL OR RIM PRODUCT IS EXTREMELY DANGEROUS!

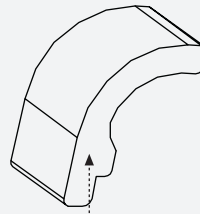


# JANTSA PRODUCT STAMPING



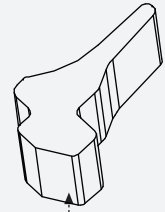
JANTSA Label/Year/Week/Day/Shift/Lot  
No/Wheel Size/R  
(Traceability Markings)

## SIDE RING



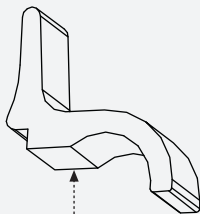
Jantsa-Size-SR-Year  
(Traceability Markings)

## LOCK RING



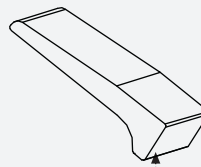
Jantsa-Size-LR-Year  
(Traceability Markings)

## COMBINED RING



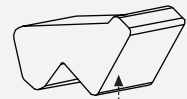
Jantsa-Size-CR-Year  
(Traceability Markings)

## CONICAL RING



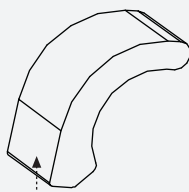
Jantsa-Size-CNR-Year  
(Traceability Markings)

## LOCK RING



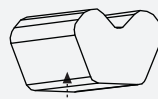
Jantsa-Size-LR-Year  
(Traceability Markings)

## SIDE RING



Jantsa-Size-SR-Year  
(Traceability Markings)

## LOCK RING



Jantsa-Size-LR-Year  
(Traceability Markings)

## SECURITY RING



Jantsa-Size-SR-Year  
(Traceability Markings)

www.jantsa.com

 **jantsa**

**AGRO INDUSTRIAL  
& INDUSTRIAL  
VEHICLE WHEELS**

**Tarımsal Endüstriyel  
ve Endüstriyel  
Araç Jantları**

AGRO INDUSTRIAL and INDUSTRIAL  
TARIMSAL ENDÜSTRİYEL ve ENDÜSTRİYEL

# AGRO INDUSTRIAL & INDUSTRIAL VEHICLE WHEELS

TARIMSAL ENDÜSTRİYEL ve ENDÜSTRİYEL ARAÇ JANTLARI



## TECHNICAL SPECIFICATIONS / TEKNİK ÖZELLİKLER

RIM DIAMETER JANT ÇAPİ	WHEEL SIZE JANT EBATİ	TIRE SIZE LASTİK EBATİ	JANTSA PART NUMBER JANTSA KOD	CENTER HOLE PORYA ÇAPİ	P.C.D. (mm) BIJON EKSEN ÇAPİ	HOLE TYPE BIJON TİPİ	NUMBER OF BOLT HOLES BIJON SAYISI	OFFSET OFSET (mm)
15"	5.50-15	7.00-15	15550	146	203.2	B-	5	36.5
	6.00-15	7.50-15	60162	161	205	B2	6	130
	6.50-15	825-15	65161	161	205	B2	6	134
			65162	176	225	B2	10	134
	8.0-15	1100-15	80151	176	225	B3	10	143
			80153	176	225	ø26mm	10	155
	9.75-15	12.5-15	97515	260	300	ø24mm	10	Negative 45
10.50-15	12.5-15	10515	178	225	A17	5	45	
16.5"	16,5x8,25	10,00-16.5	165825	94	140	A1	5	0
		31/10.50-16.5	165826	161	205	A2	6	0
		165828	152.4	203.2	B-ø16.6/20.6/90°	8	0	
	16,5x9,75	12,00-16.5	165975	161	205	A2	6	0
		31/11.50-16.5	165978	152.4	203.2	B-ø16/20.6/90°	8	0
	16,5x12,00	33/15.50-16.5	165979	221.25	275	ø19mm	8	Negative 13
			165121	201.6	241.3	A-ø17.5/ø23.8/90°	9	0
165122	152.8	203.2	A-ø15.8/ø23.5/90°	8	Negative 3			
20" 3PIECE	7.50-20	10.00R20	75239	281	335	A3	10	165
			75262	281	335	B3	10	180
	8.0-20	11.00R20	80226	281	335	ø26mm	10	177
			80234	221	285.75	B-ø30.1/ø37.2/R22.2	10	172
			80602	221	275	A3	8	0
	8.0V-20 Tubeless	11.00R20	80631	281	335	ø26mm	10	180
	8.5-20	12.00R20	85222	281	335	B3	10	172
		13/80R20	85616	281	335	ø26mm	10	177
	8.5V-20 Tubeless	12.00R20	85641	281	335	ø26mm	10	190
	10.00V-20 Tubeless	385/80R20	100225	281	335	ø26mm	10	216
		395/80R20	100230	325	381	ø26mm	12	216
	10.00W-20 Tubeless	16.00R20	100271	281	335	ø26mm	10	100
			100278	221	275	ø24mm	8	134
	11.00-20 Tubeless	395/80R20	110020	350,7	410	ø22mm	12	Negative 47
20-20.50/1.5 Tubeless	42/25x20	202050	220	285.75	ø26mm	10	Negative 60	
20-26.00/1.5 Tubeless	48/31x20	202600	220	285.75	ø26mm	10	Negative 129	
21"	21-18.00/1.5	24R21	210180	281	335	ø26mm	10	0
24"	8.00TG-24	13.00-24	80249	228.6	285.75	ø23.8mm	10	103
			85289	371	425	ø26mm	24	172
	8.5-24 4pc	12.00R24	85290	281	335	ø26mm	10	200
			85291	350	400	ø24mm	16	200
	9x24 Single Piece	12.00R24	902402	282	335	ø23mm	10	50
			902433	152.6	203.2	ø20,6mm	8	Inset Negative 93
	10.00-24 3pc	14.00-24	102400	281	335	ø26mm	10	0
102401			371	425	ø26mm	12	198	
102402	371	425	ø26mm	24	198			

Not all items are listed in this catalog. Please contact us for any application that you do not see in this catalog.



# AGRO INDUSTRIAL & INDUSTRIAL VEHICLE WHEELS

TARIMSAL ENDÜSTRİYEL ve ENDÜSTRİYEL ARAÇ JANTLARI

**jant**sa



## TECHNICAL SPECIFICATIONS / TEKNİK ÖZELLİKLER

RIM DIAMETER JANT ÇAPI	WHEEL SIZE JANT EBATI	TIRE SIZE LASTİK EBATI	JANTSA PART NUMBER JANTSA KOD	CENTER HOLE PORYA ÇAPI	P.C.D. (mm) BIJON EKSEN ÇAPI	HOLE TYPE BIJON TİPİ	NUMBER OF BOLT HOLES BIJON SAYISI	OFFSET OFSET (mm)
24"	10.00-24 4pc	14.00R24	102403	281	335	ø26mm	10	225
			102405	371	425	ø26mm	24	216
			102407	371	425	ø26mm	24	216
	W13x24	380/70-24	13241	281	335	A3	10	0
			13245	221	275	A2	8	Negative 30
			14241	161	205	A2	6	0
			24152	221	275	ø24mm	8	0
			16.90-24 17.50L-24	24152	221	275	ø24mm	8
DW16x24	19.50-24	16025	281	335	A3	10	87	
		18024	221	275	A2	8	0	
24.5"	24.5x11.75	355/55-24.5	18025	221	275	A2	8	Negative 50
			245112	201.6	241.3	A-ø17,5/ø23,8/90°	9	34
			245130	281	335	Aø30.1/36.5/R22.2	10	0
24.5x13.00	15R-24.5	245152	245152	281	335	A-ø31,7/ø37.5/R22.2	11	Negative 73
			25124	290	335	A-ø22/35/R22	5	25
25" SINGLE PIECE	12x25	14.00-25	25127	221.25	275	ø23mm	8	0
			25500	281	335	A-ø30/37/R22,2	10	Negative 38
	13x25	15.00-25	25506	281.4	335	A3	10	0
			9.5-25/1.7"	12.00-25	950025	350.2	400	A3
25" 3 PIECE	10.00-25/1.5"	14.00-25 385/95R25	100025	281	335	B3	10	Negative 45
	11.25-25/1.7"	14.00-25 445/95R25	112527	281	335	ø26mm	10	0
	12.00-25/1.3"	15.5-25 395/80R25	120025	281	335	B3	10	Negative 50
	14.00-25/1.5"	17.5-25 445/80R25	140025	281	335	B3	10	Negative 50
	17.00-25/1.7"	19.5-25	170025	281	335	B3	10	Negative 50
		20.5-25	170026	371	425	A3	12	Inset 20
	36.00-25/1.5"	66x43.00-25	250360	446	510	ø24mm	16	inset 34
25" 5 PIECE	11.25-25/2"	16.00-25	112530	371	425	ø26mm	12	inset 55
	13.00-25/2.5"	18.00-25	130028	371	425	B3	12	inset 50,5
	17.00-25/2"	20.5-25	170054	449	500	ø26mm	24	inset 30
	17.00-25 / 3.5"	20.5-25	01856	IN VARIOUS SPECIFICATIONS				
	19.5-25/2.5"	23.5-25	195250	449	500	ø26mm	24	inset 55
	22.00-25/3"	26.5-25	220250	448	500	ø26mm	20	inset 56
	25.00-25 / 3.5"	29.5-25	250250	371	425	ø27mm	24	0
26"	W 15Lx26	18.4-26	26152	281	335	ø26mm	10	0
			26160	290	335	A-ø21/ø36/R22.4	5	89
	W16Lx26	18.4-26	26163	221	275	A2	8	0
28"	W14Lx28	16.9-28	14281	289.5	335	A-ø22.5/ø38/R22.4	10	41,7
			14284	152.4	203.2	ø21mm	8	Inset 30
	W15Lx28	16.9-28	28150	281	335	A-ø24/ø33/R18.5	10	Negative 115,5
DW18Lx28	20.50-28	28800	281	335	A3	10	Inset 45	
33"	33-13.00/2.5	18.00-33			COMING SOON...			
	33-15.00/3.0	21.00-33			COMING SOON...			

Not all items are listed in this catalog. Please contact us for any application that you do not see in this catalog.

 **Jantosa**  
[www.jantosa.com.tr](http://www.jantosa.com.tr)

***We Care and Carry... Since 1977***





 **jantsa**

**SINGLE PIECE  
AGRICULTURAL  
WHEELS**

**Tarimsal Jantlar**



# SINGLE PIECE AGRICULTURAL WHEELS

TARIMSAL JANTLAR

## TECHNICAL SPECIFICATIONS / TEKNİK ÖZELLİKLER

RIM DIAMETER JANT ÇAPI	WHEEL SIZE JANT EBATI	TIRE SIZE LASTİK EBATI	JANTSA PART NUMBER JANTSA KOD	CENTER HOLE (mm) PORYA ÇAPI	P.C.D. (mm) BIJON EKSEN ÇAPI	HOLE TYPE BIJON TİPİ	NUMBER OF BOLT HOLES BIJON SAYISI	OFFSET OFSET (mm)	VEHICLE ARAÇ TİPİ	
12"	7.00x12	220/60-12	70120	110	160	A1	5	0	AGRICULTURAL MACHINERY	
15"	3Dx15	5.00-15	0985	Connected lug 3					AGRICULTURAL MACHINERY	
	4.00x15	5.00-15	40150	96	140	A-	5	0	AGRICULTURAL MACHINERY	
16"	4.00x16	6.00-16	40112	117.55	152.4	A-	6	31	AGRICULTURAL MACHINERY	
			40113	109	160	Ø15mm	5	44	AGRICULTURAL MACHINERY	
			40115	115	152	Ø15mm	6	18	AGRICULTURAL MACHINERY	
			40120	161	205	A2	6	0	VARIOUS	
	4.50x16	6.00-16 6.50-16	45102	110	140	A14	5	0	VARIOUS	
			45105	110	170	A-Ø18.5/Ø22/60°	5	0	VARIOUS	
			45111	117.55	152.4	E16	6	45	AGRICULTURAL MACHINERY	
			45112	161	205	A2	6	0	VARIOUS	
			45118	66.6	112	A1	5	40	VARIOUS	
	5.00x16	6.00/6.50-16 6.50/7.00-16	45128	135	175	A-Ø20/Ø25/90°	5	Negative 25	VARIOUS	
			50101	110	160	A-Ø18.5/Ø22/60°	5	0	VARIOUS	
	5.50x16	6.50/7.00-16 7.50-16	50102	161	205	A2	6	0	VARIOUS	
			55102	110	160	A-Ø18.5/Ø22/60°	5	0	VARIOUS	
			55104	161	205	A2	6	0	VARIOUS	
			55105	117.55	152.4	E16	6	25	AGRICULTURAL MACHINERY	
			55106	110	160	B1	5	28	AGRICULTURAL MACHINERY	
			55107	170	220	B-Ø16.5/Ø21/R12	6	26	AGRICULTURAL MACHINERY	
	6.00x16	9.00-16	55109	115	152	Ø15mm	6	26	AGRICULTURAL MACHINERY	
16611			122	162	A-Ø18/Ø25/90°	6	Negative 4.5	2PTS-4		
6.50x16	9.00-16	16612	145	190	A-Ø20/Ø27/90°	8	Negative 4.5	2PTS-4		
		16650	161	205	A2	6	0	AGRICULTURAL TRAILERS		
18"	5.50x18	7.50-18	55181	161	205	B2	6	40	VARIOUS	
		7.50-18	55183	221	275	Ø19mm	8	50	VARIOUS	
	6.00x18	7.50-18	18600	90	150	Ø15.5mm	6	65	VARIOUS	
			W9x18	280/80R18	18902	161	205	A2	6	0
	W11x18	340/80R18	320/65R18	18910	290.5	335	A-Ø21.5/Ø38/R22.4	5	18	AGRICULTURAL MACHINERY
			11180	161	205	A2	6	0	AGRICULTURAL TRAILERS	
			11183	221	275	A2	8	0	VARIOUS	
			13181	221	275	A2	8	0	VARIOUS	
W13x18	15.0/70-18	13182	161	205	A2	6	0	AGRICULTURAL TRAILERS		
		36219	115	152	Ø15mm	6	30	VARIOUS		
19"	4.50x19	7.50-19	45190	117.7	152.4	B-Ø15/Ø18/90°	6	55	AGRICULTURAL TRAILERS	
	5.50x20	7.50-20	20551	201	245	Ø20.5mm	6	116	VARIOUS	
20"	W7x20	280/70R20	72200	102	161	Ø14.5mm	6	Inset 52	SPRAYERS	
	W8x20	280/70R20	82000	221	275	Ø19mm	8	Inset 5	SPRAYERS	
	W9x20	280/80R20	92002	161	205	A2	6	0	VARIOUS	
			300/70R20	92003	221	275	A2	8	0	AGRICULTURAL MACHINERY
	W10x20	12.R-20	20100	80	129	Ø19mm	6	10	VARIOUS	
			340/80R20	20101	221	275	Ø19mm	8	117	VARIOUS
	W11x20	12.4R20	20112	221	275	A2	8	0	VARIOUS	
			20115	161	205	A2	6	0	AGRICULTURAL TRAILERS	
	W13x20	380/70R20	20134	161	205	A2	6	0	AGRICULTURAL TRAILERS	
			20135	221	275	A2	8	0	VARIOUS	
20136			221	275	A3	8	Negative 75	VARIOUS		
W14x20	16/70-20	14201	221	275	A2	8	0	AGRICULTURAL TRAILERS		
		14205	221	275	Ø21mm	8	Negative 45	VARIOUS		

Not all items are listed in this catalog. Please contact us for any application that you do not see in this catalog.

# SINGLE PIECE AGRICULTURAL WHEELS

TARIMSAL JANTLAR



## TECHNICAL SPECIFICATIONS / TEKNİK ÖZELLİKLER



RIM DIAMETER JANT ÇAPDI	WHEEL SIZE JANT EBATI	TIRE SIZE LASTİK EBATI	JANTSA PART NUMBER JANTSA KOD	CENTER HOLE (mm) PORYA ÇAPDI	P.C.D. (mm) BIJON EKSEN ÇAPDI	HOLE TYPE BIJON TIPI	NUMBER OF BOLT HOLES BIJON SAYISI	OFFSET OFFSET (mm)	VEHICLE ARAÇ TIPI
24"	W7x24	240/85R24	72400	161	205	A2	6	66,5	VARIOUS
			72401	221	275	Ø19mm	8	Negative 19	VARIOUS
	W 8x24	11.00-24	24800	154	202.6	A-Ø17/Ø21.7/90°	8	Negative 37	IRRIGATION
			24802	109.5	152.4	A-Ø19/Ø24/90°	8	68	VARIOUS
	W 10x24	14.00-24	24100	109.5	152.4	A-Ø19/Ø24/90°	8	68	AGRICULTURAL MACHINERY
			24111	221	275	B3	8	41	IRRIGATION
	W 12x24	340/85R24	24303	161	205	A2	6	0	AGRICULTURAL MACHINERY
			24305	221	275	B3	8	62	IRRIGATION
	W13x24	380/70R24	13241	281	335	A3	10	0	AGRICULTURAL MACHINERY
	W14x24	420/70R24	14241	161	205	A2	6	0	AGRICULTURAL MACHINERY
W15x24	16.9-24	24152	221.5	275	Ø23mm	8	0	AGRICULTURAL MACHINERY	
28"	W 9x28	11.2-28	28900	109.5	152.4	B-Ø19/Ø26.9/90°	8	165	AGRICULTURAL MACHINERY
			28901	161	205	B2	6	0	AGRICULTURAL MACHINERY
	W 10x28	12.4-28	28100	161	205	A2	6	43	AGRICULTURAL MACHINERY
			28104	109.5	152.4	B-Ø19/Ø25/90°	8	175	AGRICULTURAL MACHINERY
	W 11x28	12.5-28	28110	150	200	Ø17.5mm	8	Negative 30	AGRICULTURAL MACHINERY
			28120	150.8	200	Ø17mm	8	79	AGRICULTURAL MACHINERY
	W 12x28	13.6-28	28122	190.5	152.4	B-Ø19/Ø26.9/90°	8	160	AGRICULTURAL MACHINERY
			13281	150.1	203.2	Ø19.8mm	8	84	AGRICULTURAL MACHINERY
30"	DW 12x30	420/70 R 30	30120	101.701	165.1	B-Ø32.2/Ø37/R22	6	31.5	VARIOUS
	W13x30	420/70 R 30	30131	150.1	203.2	Ø19.8mm	8	Inset 20	AGRICULTURAL MACHINERY
			30140	150	205	B2	8	77	AGRICULTURAL MACHINERY
	W 14Lx30	480/70 R 30	30150	152.4	203.2	B-Ø19/Ø26.9/90°	8	127	AGRICULTURAL MACHINERY
			30144	109.5	152.4	B-Ø19/Ø25/90°	8	166	AGRICULTURAL MACHINERY
	DW14x30		30146	152.4	203.2	B-Ø19/Ø25/90°	8	163	AGRICULTURAL MACHINERY
	DWW15Lx30	480/70 R 30	30500	152.4	203.2	Ø19.8mm	8	Inset 20	AGRICULTURAL MACHINERY
32"	W8x32	9.5R32	32800	161	205	A2	6	0	SPRAYERS
34"	W 15Lx34	480/70 R 34 520/70 R 34	34151	152.4	203.2	B-Ø19/Ø26.9/90°	8	Inset 126.6	VARIOUS
36"	W 9x36	11.2-36	36902	190.5	152.4	Ø19mm	8	55.5	VARIOUS
			36904	150.8	200	Ø17mm	8	55.5	VARIOUS
			36110	221	275	Ø21mm	8	30	AGRICULTURAL MACHINERY
	W 11x36	12.5-36	36111	152.4	203.2	B1	8	30	AGRICULTURAL MACHINERY
			36112	139.7	203.2	B-Ø32.3/Ø37.2/R22.4	8	30	AGRICULTURAL MACHINERY
	W 12x36	13.6-36	36502	152.4	203.2	B-Ø19/Ø26.9/90°	8	Inset 112.5	AGRICULTURAL MACHINERY
38"	DW 10x38	11.2-38	10380	152.52	203.2	B-Ø16.6/Ø20.8/90°	8	62	IRRIGATION
			10383	152.5	203.2	A-Ø16.6/Ø20.6/90°	8	Negative 76.5	IRRIGATION
	DW 11x38	12.5-38	38502	221	275	B3	8	76	VARIOUS
			38503	152.4	203.2	B1	8	76	VARIOUS
			38504	150.8	200	Ø17mm	8	76	VARIOUS
	DW 12x38	13.6-38	38120	152.4	203.2	B1	8	75	AGRICULTURAL MACHINERY
	DW14x38	15.50-38	38140	152.4	203.2	B-Ø19/Ø26.9/90°	8	125	AGRICULTURAL MACHINERY
DW16x38	540/65 R 38	16380	152.4	203.2	Ø19mm	8	Negative 105	AGRICULTURAL MACHINERY	
42"	W8x42	9.5R42. 11.2R42	42800	199.5	250	B-Ø24/Ø28/90°	8	135	SPRAYERS
			42801	161	205	B2	6	95	SPRAYERS
			42802	221	275	B2	8	95	SPRAYERS
44"	W8x44	9.5R44	44801	152.4	203.2	B1	8	111.4	AGRICULTURAL MACHINERY
			44802	150.1	203.2	Ø19mm	8	111.4	AGRICULTURAL MACHINERY
			44804	199	250	B-Ø24/Ø30/90°	8	105	SPRAYERS
48"	W8x48	270/95 R 48	48800	150.1	203.2	Ø19.8mm	8	Inset 120	SPRAYERS
52"	W8x52	300/95 R 52	01757	ONLY RIM BASE					

Not all items are listed in this catalog. Please contact us for any application that you do not see in this catalog.



***WE MAKE THE WORLD  
TURN AROUND***



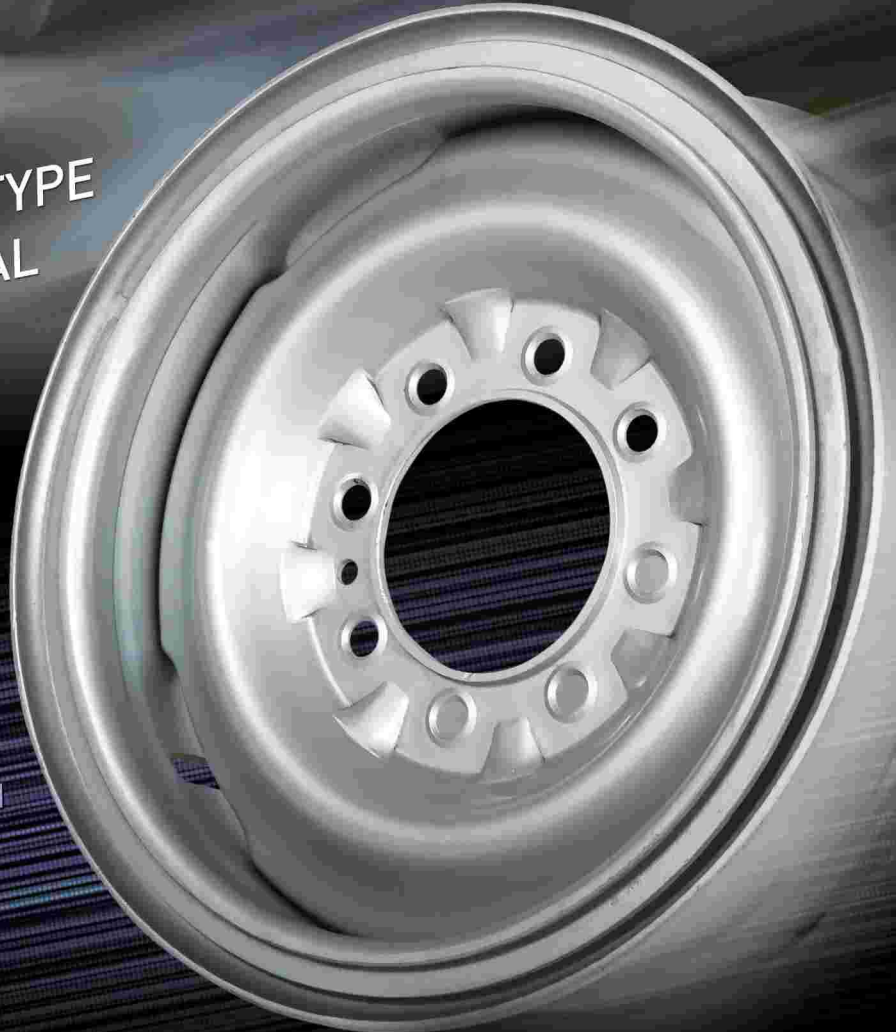
 ***jantosa***

[www.jantosa.com](http://www.jantosa.com)



**TUBELESS & TUBE TYPE  
LIGHT COMMERCIAL  
VEHICLE WHEELS**

Kanallı ve Yarım  
Kanallı 5° Eğimli  
Hafif Ticari Vasıta  
Jantları





# TUBELESS & TUBE TYPE LIGHT COMMERCIAL UTILITY VEHICLE WHEELS

KANALLI ve YARIM KANALLI 5° EĞİMLİ HAFİF TİCARİ VASITA JANTLARI



## TECHNICAL SPECIFICATIONS / TEKNİK ÖZELLİKLER

RIM DIAMETER JANT ÇAPİ	WHEEL SIZE JANT EBATİ	TIRE SIZE	JANTSA PART NUMBER JANTSA KOD	CENTER HOLE (mm) PORYA ÇAPİ	P.C.D. (mm) BIJON EKSEN ÇAPİ	HOLE TYPE BIJON TİPİ	NUMBER OF BOLT HOLES BIJON SAYISI	OFFSET OFSET (mm)	LOAD CAPACITY@ YÜKLEME KAPASİTESİ 100 Km/h	VEHICLE ARAÇ TİPİ
14"	5.50Jx14H2	185/70 R 14	550140	115	165	Ø13.5mm	5	Inset 38	900	BMC
			550143	130.1	170	B-Ø22/Ø26.8/80°	6	106	1200	VARIOUS
			550148	58	98	A-Ø13.5/Ø15.5/60°	4	Inset 44	1000	FIAT
	6.00Jx14H2	205 R 14C	601402	161	205	A2	6	0	1300	CLAAS
15"	5.50Jx15H2	185/65R15	15552	58	98	A-Ø13.5/Ø15.5/60°	4	Inset 32	1000	FIAT DOBLO
	6 Jx15H2	185 R 15	601505	58	98	A-Ø13.5/Ø15.5/60°	4	Inset 44	1000	FIAT
		185 R 15	601501	165	205	B2	6	97	1000	VARIOUS
16"	5.50Jx16H2	165 R 16	550160	130	170	Ø21.5mm	6	114.5	1000	GAZELLE
	4,50x16	600/650-16	45109	110	140	A15	5	24	860	JEEP
			45110	71	114.3	A16	5	20.3	1050	DODGE
	5,50x16	7,50-16	55106	110	160	B1-Ø18.5/Ø24/R14	5	Inset 20	1100	VARIOUS
		7,50-16	55609	117.5	152.4	A-Ø15/Ø19/90°	6	Inset 28.6	900	MASSEY
	5,50-16	7,50-16	55131	161	205	B-Ø21.5/Ø26/R16	6	124	1320	50NC
		7,50-16	55132	161	205	B17	6	126	1320	IVECO-BMC
		7,50-16	55133	161	205	B2	6	125	1320	IVECO
		7,50-16	55134	161	205	B-Ø25.4/Ø31/80°	6	123	1320	BEDFORD
		7,50-16	55135	161	205	B17	6	125	1320	BEDFORD
		7,50-16	55136	161	205	B-Ø21.5/Ø26/R16	6	105	1320	MAGIRUS
		7,50-16	55137	161	205	B2	6	115	1320	MAGIRUS
		7,50-16	55138	121.5	165	A-Ø16.3/Ø20/90°	8	Inset 14	1320	DODGE
	6,00-16	7,50-16	* 55140*	161	205	B17	6	124	1320	IVECO
		7,50-16	* 55141*	121.5	165	A-Ø16.3/Ø21.3/90°	8	Inset 14	1320	DODGE
		7,50-16	55142	146	203.2	B-Ø29/Ø35/R18	5	124	1320	ISUZU NPR
7,50-16		60110	161	205	A17	6	128	1650	BEDFORD	
7,50-16		60112	146	203.2	B34	5	128	1650	ISUZU NPR	
6,50-16	7,50-16	60113	164	222.25	B3	6	132	1650	HINO	
	7,50-16	* 60138*	146	203.2	B34	5	128	1900	ISUZU	
	8,25-16	65120	161	205	B17	6	123	1900	BMC	
20"	5,50x20	7,50-20	20551	201	245	Ø20,5mm	6	116	1100	VARIOUS

Not all items are listed in this catalog. Please contact us for any application that you do not see in this catalog.

\*Marked part numbers are combined ring type (2 pcs) wheels!

 **jantssa**

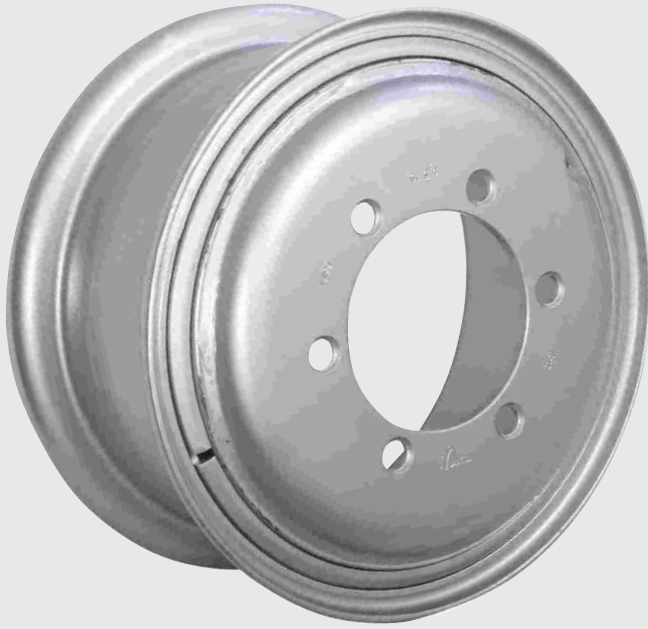
**MULTI-PIECE  
AGRICULTURAL  
IMPLEMENT WHEELS  
FOR LOW SPEED  
APPLICATIONS**

**Düşük Hız İçin  
Tarımsal Ekipman  
Jantları**



# MULTI-PIECE AGRICULTURAL IMPLEMENT WHEELS FOR LOW SPEED APPLICATIONS

DÜŞÜK HIZ İÇİN TARIMSAL EKİPMAN JANTLARI



## TECHNICAL SPECIFICATIONS / TEKNİK ÖZELLİKLER

RIM DIAMETER JANT ÇAPDI	WHEEL SIZE JANT EBATI	TIRE SIZE LASTİK EBATI	JANTSA PART NUMBER JANTSA KOD	CENTER HOLE (mm) PORYA ÇAPDI	P.C.D. (mm) BİJON EKSEN ÇAPDI	HOLE TYPE BİJON TİPI	NUMBER OF BOLT HOLES BİJON SAYISI	OFFSET OFSET (mm)	APPLICATIONS UYGULAMA
15"	6.00-15	8.25-15	60151	161	205	A2	6	0	AGRICULTURAL TRAILER
	6.50-15		65151	161	205	A2	6	0	AGRICULTURAL TRAILER
16"	5.50-16	7.50-16	55119	110	160	A1	5	0	AGRICULTURAL TRAILER
			55120	161	205	A1	6	0	AGRICULTURAL TRAILER
			55121	161	205	A2	6	0	AGRICULTURAL TRAILER
			55122	110	140	A-016/019.5 /90°	5	80	AGRICULTURAL TRAILER
			55124	161	205	B2	6	135	AGRICULTURAL TRAILER
			55126	110	170	A1	5	0	AGRICULTURAL TRAILER
	6.00-16	8.25-16	60102	161	205	A2	6	0	AGRICULTURAL TRAILER
			60103	161	205	A2	6	0	AGRICULTURAL TRAILER
6.50-16	8.25/9.00-16	65105	161	205	A2	6	0	AGRICULTURAL TRAILER	
7.00-16	9.00-16	71600	161	205	A2	6	0	AGRICULTURAL TRAILER	
18"	13.00-18	15.0/70-18	18131	221	275	A2	8	0	AGRICULTURAL TRAILER

Not all items are listed in this catalog. Please contact us for any application that you do not see in this catalog.



# MULTI-PIECE AGRICULTURAL IMPLEMENT WHEELS FOR LOW SPEED APPLICATIONS

DÜŞÜK HIZ İÇİN TARIMSAL EKİPMAN JANTLARI



## TECHNICAL SPECIFICATIONS / TEKNİK ÖZELLİKLER

RIM DIAMETER JANT ÇAPİ	WHEEL SIZE JANT EBATİ	TIRE SIZE LASTİK EBATİ	JANTSA PART NUMBER JANTSA KOD	CENTER HOLE (mm) PORYA ÇAPİ	P.C.D. (mm) BIJON EKSEN ÇAPİ	HOLE TYPE BIJON TİPİ	NUMBER OF BOLT HOLES BIJON SAYISI	OFFSET OFSET (mm)	APPLICATIONS UYGULAMA
20"	5.50-20	7.50-20	55202	161	205	A2	6	0	AGRICULTURAL TRAILER
			55203	161	205	A-	6	132	AGRICULTURAL TRAILER
			55204	221	275	A2	8	0	AGRICULTURAL TRAILER
			55205	221	275	A17	8	0	AGRICULTURAL TRAILER
			55206	221	275	A2	8	132	AGRICULTURAL TRAILER
	6.00-20	7.50-20 8.25-20	60202	161	205	A2	6	0	AGRICULTURAL TRAILER
			60203	161	205	B2	6	138	AGRICULTURAL TRAILER
			60204	221	275	A2	8	0	AGRICULTURAL TRAILER
			60205	221	275	A21	8	0	AGRICULTURAL TRAILER
			60206	221	275	B2	8	138	AGRICULTURAL TRAILER
	6.50-20	8.25/9.00-20	65201	161	205	A1	6	0	AGRICULTURAL TRAILER
			65202	161	205	A2	6	0	AGRICULTURAL TRAILER
			65203	161	205	A2	6	145	AGRICULTURAL TRAILER
			65204	221	275	A2	8	0	AGRICULTURAL TRAILER
			65207	221	275	A17	8	145	AGRICULTURAL TRAILER
	7.00-20	9.00-20	70102	161	205	A2	6	0	AGRICULTURAL TRAILER
			70103	221	275	A3	8	0	AGRICULTURAL TRAILER
	10-20	14-20	10201	161	205	A2	6	0	AGRICULTURAL TRAILER
			10202	221	275	A3	8	0	AGRICULTURAL TRAILER
			10203	281	335	A3	10	0	AGRICULTURAL TRAILER
	11-20	14-20	11201	161	205	A2	6	0	AGRICULTURAL TRAILER
			11202	221	275	A3	8	0	AGRICULTURAL TRAILER
			11203	281	335	A3	10	0	AGRICULTURAL TRAILER
	13-20	15.5-20	13201	161	205	A2	6	0	AGRICULTURAL TRAILER
13202			221	275	A3	8	0	AGRICULTURAL TRAILER	
13203			281	335	A3	10	0	AGRICULTURAL TRAILER	

Not all items are listed in this catalog. Please contact us for any application that you do not see in this catalog.



# WARRANTY POLICY

- JANTSA warranties that delivered goods are free from defects in materials and workmanship and are produced according to provided technical documentation.
- The Buyer should examine goods immediately upon receipt and advise Seller, in writing, of any discrepancy in terms of numbers or quality. Failure to advise Seller within 10 days would presume goods to be acceptable.
- Normal wear is not covered under warranty. The warranty also does not cover damage resulting from improper handling of products, for example overloading above the capacities specified or violating standards stipulated by ETRTO (European Tyre and Rim Technical Organization) and TRA (Tire & Rim Association) or using tires which do not correspond to both standards.
- JANTSA has no obligation under warranty for goods if they were modified, or processed (including welding of disc to rim, drilling of stud holes, mechanical processing of surface, etc.). Repair of steel wheels and their components is strictly prohibited.
- JANTSA has no obligation under warranty for goods if spare parts produced by other manufacturers are used with them.
- The onus for submitting a claim together with corroborative evidence is the sole responsibility of the Buyer. This includes: proving presence of defect itself on exact JANTSA product, the fact that defect appeared within warranty period of exact product, the fact that notification of defect was sent on time. Under request of JANTSA, the Buyer should be able provide proves that product was working according to conditions recommended by ETRTO, TRA and/or JANTSA.
- JANTSA warranties that proven defects will be corrected either through replacement of goods or through compensation of their EXW price at the moment of initial delivery of goods.
- The Buyer is obligated to store in good conditions all claimed wheels and to provide samples of defective wheels or wheels which are deemed to be claimed by the Buyer upon request from JANTSA.



## Basic Wheel-Tire Matching Chart

Wheel Size	Tire Size	Wheel Size	Tire Size	Wheel Size	Tire Size
17.5x5.25	7 R 17.5	19.5x11.75	15 R 19.5	22.5x14.00	425/65 R 22.5
	8 R 17.5		365/40 R 19.5		435/50 R 22.5
	8.5 R 17.5		385/55 R 19.5		445/50 R 22.5
	205/75 R 17.5		385/65 R 19.5		445/60 R 22.5
17.5x6.00	8 R 17.5	19.5x14.00	18 R 19.5	22.5x15.00	445/65 R 22.5
	8.5 R 17.5		425/55 R 19.5		455/55 R 22.5
	9 R 17.5		435/50 R 19.5		435/45 R 22.5
	9.5 R 17.5		445/45 R 19.5		435/50 R 22.5
	205/65 R 17.5	445/65 R 19.5	445/50 R 22.5		
	205/75 R 17.5	22.5x7.50	10 R 22.5	22.5x15.00	455/40 R 22.5
	215/75 R 17.5		11 R 22.5		455/45 R 22.5
	225/70 R 17.5		255/70 R 22.5		455/55 R 22.5
225/75 R 17.5	265/60 R 22.5				
17.5x6.75	8 R 17.5	22.5x7.50	275/70 R 22.5	6.5-15	8.25 R 15
	8.5 R 17.5		275/80 R 22.5		7.50 R 15
	9 R 17.5		275/80 R 22.5		205/80 R 15
	9.5 R 17.5		11 R 22.5	6.0-20	7.5 R 20
	10 R 17.5	12 R 22.5	8.25 R 20		
	205/65 R 17.5	22.5x8.25	255/70 R 22.5	7.5-20	9.00 R 20
	205/75 R 17.5		265/60 R 22.5		10.00 R 20
	215/75 R 17.5		275/70 R 22.5		11.00 R 20
	225/70 R 17.5		275/80 R 22.5		270/95 R 20
	225/75 R 17.5		285/60 R 22.5		290/95 R 20
	235/75 R 17.5		295/80 R 22.5		300/95 R 20
	245/70 R 17.5		305/70 R 22.5		10.00 R 20
	12 R 22.5		11.00 R 20		
19.5x6.75	8 R 19.5	22.5x9.00	13 R 22.5	8.0-20	12.00 R 20
	9 R 19.5		285/60 R 22.5		290/95 R 20
	9.5 R 19.5		295/60 R 22.5		300/95 R 20
	215/75 R 19.5		295/80 R 22.5		330/95 R 20
	235/75 R 19.5		305/60 R 22.5	8.5-20	11.00 R 20
	245/70 R 19.5		305/70 R 22.5		12.00 R 20
	265/70 R 19.5		315/60 R 22.5		300/95 R 20
			315/70 R 22.5		330/95 R 20
19.5x7.50	245/70 R 19.5	22.5x11.75	315/75 R 22.5	8.5-24	335/80 R 20
	255/60 R 19.5		315/80 R 22.5		12.00 R 24
	265/70 R 19.5		15 R 22.5	10.00-20	14.00 R 20
	9.5 R 19.5		16.5/70 R 22.5		335/80 R 20
	10 R 19.5		355/50 R 22.5		365/80 R 20
	11 R 19.5		365/70 R 22.5		395/85 R 20
285/70 R 19.5	375/50 R 22.5	10.00W-20	14.00 R 20		
255/60 R 19.5	375/90 R 22.5		16.00 R 20		
265/70 R 19.5	385/55 R 22.5		365/85 R 20		
305/70 R 19.5	385/65 R 22.5		385/95 R 20		
19.5x8.25	255/60 R 19.5		415/45 R 22.5		395/85 R 20
	265/55 R 19.5				
	265/70 R 19.5				
	285/70 R 19.5				
	305/70 R 19.5				



JANTSA does not bear any legal responsibility for any information or mis-print contained in this brochure. This brochure includes only the most commonly used tire and wheel sizes. For more detailed information please refer to information from vehicles manufacturer, international tire and rims standards or contact JANTSA sales representatives.

# Your Personal Wheel Expert

## CONTACT

### Export Sales Contact Info

Jantsa Jant Sanayi ve Tic. A.Ş.

Umurlu Organize Sanayi Bölgesi 09630 Umurlu - AYDIN / TÜRKİYE

**Phone.** +90 256 259 11 25 pbx **Fax.** +90 256 259 11 24 **www.jantsa.com**

## EXPORT SALES

### Contact People

Mr. Tamer Cercioglu

(Director of Export Sales)

Mr. Omer Oztan

(Area Manager - Europe)

Mr. Dilaver Nohutcu

(Key Accounts Manager)

Mr. Cem Gumusok

(Export Chief - Exhibitions)

Mr. Aliaksandr Charnavoki

(Sales Manager CIS and Baltic states)

Mr. Erman Evgin

(Sales Representative)

### E-Mails

t.cercioglu@jantsa.com.tr

o.oztan@jantsa.com.tr

d.nohutcu@jantsa.com.tr

c.gumusok@jantsa.com.tr

a.charnavoki@jantsa.com.tr

e.evgin@jantsa.com.tr

### Speaks



## JANTSA GERMANY

Mr. Dmytro Koriachenko

(Sales Manager Eastern Europe)

Alexanderstrasse 44, 04109, Leipzig, Germany

**Phone:** +49 176 847 03 603

d.koriachenko@mail.ru



## TUNISIAN JANTSA

Mr. Iskender Mabrouk

(Sales Representative - M.East & Africa)

Route Sidi Mansour El Khalij Bp 3063 Sfax / Tunisia

**Phone:** +216 53 141 516

i.mabrouk@jantsa.com.tr



## JANTSA MEXICO

Mr. Ivan Jesus Carrillo

(Sales Representative Central & South America)

Calle 23 Sur y 33 Poniente Str #3114

Puebla / Mexico

**Phone.** +52 1 2224 496088

i.carrillo@jantsa.com.tr



## EXPORT SHIPPING & DOCUMENTATION

Ms. Selda Bayraktar

(Operations Supervisor)

Mrs. Senem Senturk

(Operations & Documentation)

s.bayraktar@jantsa.com.tr

s.senturk@jantsa.com.tr



## DOMESTIC SALES

JANTSAN Jant Pazarlama San. ve Tic. A.Ş. Cumhuriyet Mah. Turgut Özal Bulvarı No.87

Gorece - Menderes - İZMİR

**Phone.** +90.232 782 71 71 (pbx) **Fax.** +90.232 782 71 00 **E-Mail.** info@jantsan.com.tr